

### Main

Accessory / separate part category	Mounting and fixing accessories
Accessory / separate part type	Sealed collar

### Complementary

Accessory / separate part destination	Ø 58 mm encoder with solid shaft
Product compatibility	XCC1510P XCC3510P

### Environment

IP degree of protection	IP67
-------------------------	------

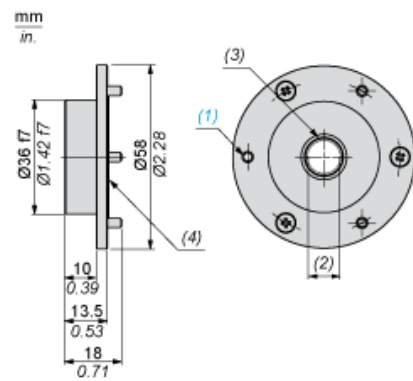
### Offer Sustainability

REACH free of SVHC	Yes
EU RoHS Directive	Pro-active compliance (Product out of EU RoHS legal scope) <a href="#">EU RoHS Declaration</a>
Toxic heavy metal free	Yes
Mercury free	Yes
RoHS exemption information	<a href="#">Yes</a>

### Contractual warranty

Warranty	18 months
----------	-----------

## Dimensions



- (1) 3 holes M3 x 0.5 at 120° on 48 PCD. TZ M3 x 8 screw fixings
- (2) Shaft  $\varnothing 10$  mm
- (3) VITON seal
- (4) Nitrile seal