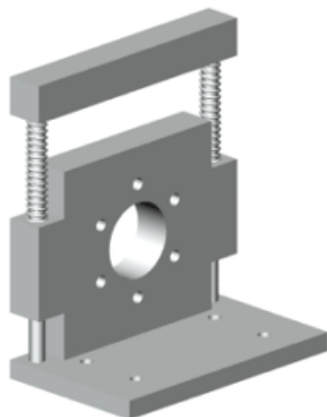


Price* : 110.33 GBP



Main

Accessory / separate part category	Fixing accessories
Accessory / separate part type	Fixing bracket

Complementary

Accessory / separate part designation	Bracket with play compensator
Product compatibility	XCC2510P XCC3510PS84S XCC1510P
Product weight	0.345 kg

Offer Sustainability

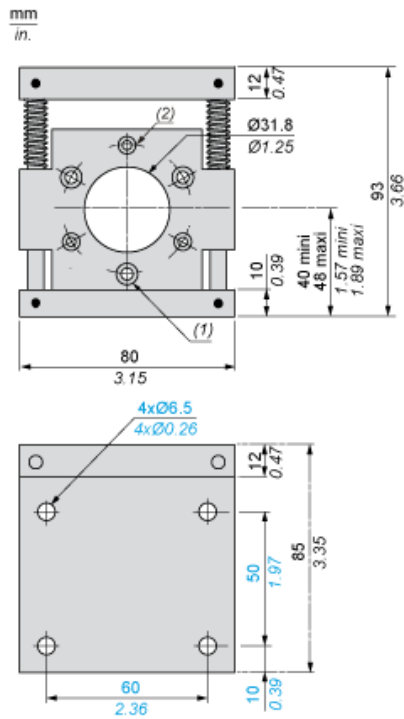
REACH free of SVHC	Yes
EU RoHS Directive	Pro-active compliance (Product out of EU RoHS legal scope) EU RoHS Declaration
Toxic heavy metal free	Yes
Mercury free	Yes
RoHS exemption information	Yes

Contractual warranty

Warranty	18 months
----------	-----------

Disclaimer: This documentation is not intended as a substitute for and is not to be used for determining suitability or reliability of these products for specific user applications

Dimensions



- (1) 3 counterbored holes for CHC M3 screws at 120° on 48 PCD
(2) 3 counterbored holes for CHC M4 screws at 120° on 48 PCD