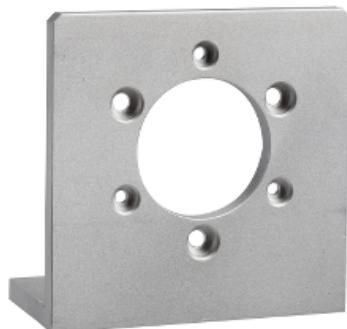


Price\* : 72.30 GBP



### Main

Accessory / separate part category	Mounting and fixing accessories
Accessory / separate part type	Fixing bracket

### Complementary

Accessory / separate part destination	Ø 90 mm encoder with solid shaft
Product compatibility	XCC1912P XCC2912P XCC3912P

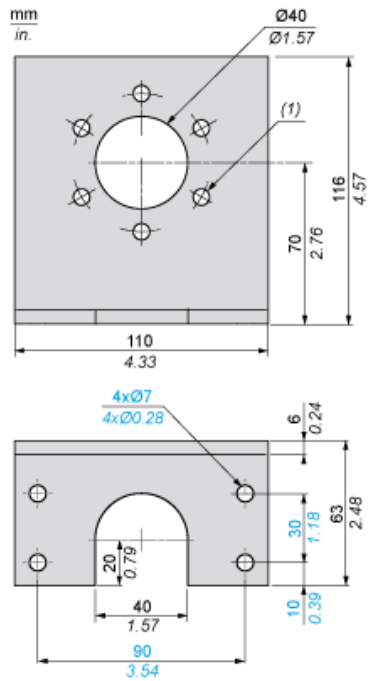
### Offer Sustainability

RECh free of SVHC	Yes
EU RoHS Directive	Pro-active compliance (Product out of EU RoHS legal scope) <a href="#">EU RoHS Declaration</a>
Toxic heavy metal free	Yes
Mercury free	Yes
RoHS exemption information	<a href="#">Yes</a>

### Contractual warranty

Warranty	18 months
----------	-----------

Dimensions



(1) 6 holes  $\varnothing 7$  for CHC M6 screws at  $60^\circ$  on 60 PCD