



Main

Accessory / separate part designation	Flexible mounting kit
Accessory / separate part destination	Ø 58 mm encoder with through shaft
Accessory / separate part category	Mounting accessories
Accessory / separate part type	Anti-rotation device
Product compatibility	XCC3514T XCC15..T XCC25..T
Kit composition	Screws 1 flexible fixing

Complementary

Product weight	0.02 kg
----------------	---------

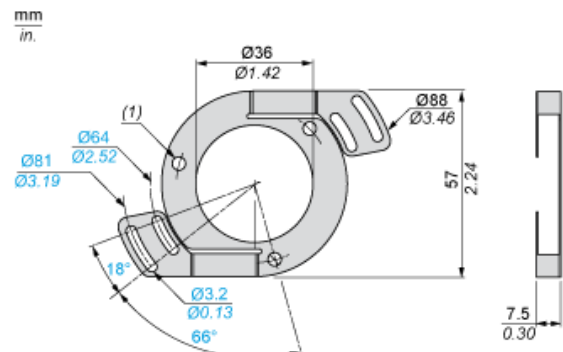
Offer Sustainability

REACH free of SVHC	Yes
EU RoHS Directive	Pro-active compliance (Product out of EU RoHS legal scope) EU RoHS Declaration
Toxic heavy metal free	Yes
Mercury free	Yes
RoHS exemption information	Yes

Contractual warranty

Warranty	18 months
----------	-----------

Dimensions



- (1) 3 holes Ø 4.1 at 120° on 48 PCD. TC M3 x 6 screw fixings