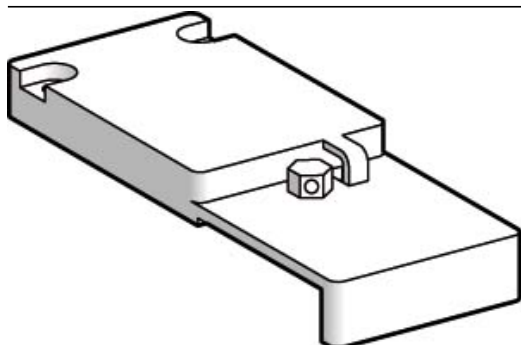


XCKM506

limit switch XCKM - cats whisker - 1NO+1NC -
slow-break - Pg11



Main

Range of product	OsiSense XC
Series name	Standard format
Product or component type	Limit switch
Device short name	XCKM
Sensor design	-
Body type	Fixed
Head type	Multi-directional head
Material	Metal
Fixing mode	By the body
Movement of operating head	Multi-directional
Type of operator	Spring return cat's whisker
Type of approach	Multi-directional approach
Electrical connection	Screw-clamp terminals , clamping capacity: 1 x 0.5...2 x 2.5 mm ²
Cable entry	3 entries tapped for Pg 11 cable gland
Number of poles	2
Contacts type and composition	1 NO + 1 NC
Contacts operation	Slow-break, break before make
Positive opening	Without

Complementary

Body material	Zamak
Switch actuation	By any moving part
Contacts insulation form	Zb
Number of steps	1
Minimum torque for tripping	0.13 N.m
Minimum actuation speed	6 m/min
Maximum actuation speed	1 m/s
Contact code designation	A300 , AC-15 (U _e = 240 V , I _e = 3 A) conforming to EN/IEC 60947-5-1 appendix A Q300 , DC-13 (U _e = 250 V , I _e = 0.27 A) conforming to EN/IEC 60947-5-1 appendix A
[I _{th} e] conventional enclosed thermal current	10 A AC
[U _i] rated insulation voltage	300 V conforming to UL 508 300 V conforming to CSA C22-2 No 14 500 V degree of pollution 3 conforming to IEC 60947-1
Resistance across terminals	≤ 25 mOhm conforming to IEC 60255-7 category 3
[U _{imp}] rated impulse withstand voltage	6 kV conforming to IEC 60947-1 6 kV conforming to IEC 60664
Short circuit protection	10 A by gG cartridge fuse
Electrical durability	5000000 cycles , DC-13 inductive load type, 48 V , 9 W , load factor: 0.5 , operating rate: ≤ 60 cyc/mn 5000000 cycles , DC-13 inductive load type, 120 V , 7 W , load factor: 0.5 , operating rate: ≤ 60 cyc/mn 5000000 cycles , DC-13 inductive load type, 24 V , 13 W , load factor: 0.5 , operating rate: ≤ 60 cyc/mn
Mechanical durability	10000000 cycles
Width	63 mm
Height	64 mm

Depth	30 mm
Product weight	0.25 kg

Environment

Shock resistance	50 gn (duration = 11 ms) conforming to IEC 60068-2-27
Vibration resistance	25 gn (f = 10...500 Hz) conforming to IEC 60068-2-6
IP degree of protection	IP66 conforming to IEC 60529
IK degree of protection	IK05 conforming to EN 50102
Class of protection against electric shock	Class I conforming to IEC 61140 Class I conforming to NF C 20-030
Ambient air temperature for operation	-25...70 °C
Ambient air temperature for storage	-40...70 °C
Protective treatment	TC
Product certifications	CCC CSA UL
Standards	CSA C22-2 No 14 EN 60204-1 EN 60947-5-1 IEC 60204-1 IEC 60947-5-1 UL 508
RoHS EUR conformity date	4Q2009
RoHS EUR status	Will be compliant