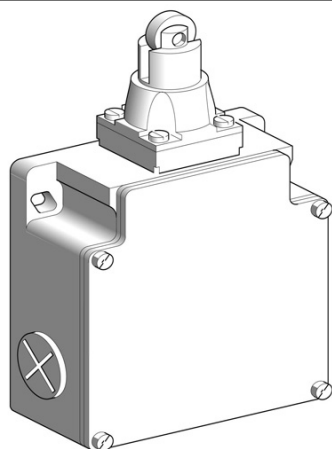


# XCKML102

limit switch XCKML - steel roller plunger -  
2x(1NO+1NC) - snap action - Pg13



## Main

Range of product	OsiSense XC
Series name	Standard format
Product or component type	Limit switch
Device short name	XCKML
Sensor design	-
Body type	Fixed
Head type	Plunger head
Material	Metal
Fixing mode	By the body
Movement of operating head	Linear
Type of operator	Metal spring return roller plunger
Type of approach	2 directions lateral approach
Electrical connection	Screw-clamp terminals , clamping capacity: 1 x 0.34...2 x 1.5 mm <sup>2</sup>
Cable entry	3 entries tapped for Pg 13.5 cable gland , cable outer diameter: 9...12 mm
Number of poles	4
Contacts type and composition	2 x (1 NC + 1 NO)
Contacts operation	Snap action
Positive opening	With

## Complementary

Body material	Zamak
Switch actuation	By 30° cam
Contacts insulation form	Zb
Number of steps	1
Positive opening minimum force	50 N
Minimum force for tripping	12 N
Minimum actuation speed	0.01 m/min
Maximum actuation speed	0.5 m/s
[Ithe] conventional enclosed thermal current	10 A AC
[Ui] rated insulation voltage	300 V conforming to UL 508 300 V conforming to CSA C22-2 No 14 500 V degree of pollution 3 conforming to IEC 60947-1
Resistance across terminals	≤ 25 mOhm conforming to IEC 60255-7 category 3
[Uimp] rated impulse withstand voltage	6 kV conforming to IEC 60947-1 6 kV conforming to IEC 60664
Electrical durability	5000000 cycles , DC-13 inductive load type, 120 V , 4 W , load factor: 0.5 , operating rate: ≤ 60 cyc/mn 5000000 cycles , DC-13 inductive load type, 48 V , 7 W , load factor: 0.5 , operating rate: ≤ 60 cyc/mn 5000000 cycles , DC-13 inductive load type, 24 V , 10 W , load factor: 0.5 , operating rate: ≤ 60 cyc/mn
Mechanical durability	3000000 cycles
Width	81 mm
Height	77 mm
Depth	35.6 mm
Product weight	0.405 kg

## Environment

Shock resistance	50 gn (duration = 11 ms) conforming to IEC 60068-2-27
Vibration resistance	25 gn (f = 10...500 Hz) conforming to IEC 60068-2-6
IP degree of protection	IP66 conforming to IEC 60529
IK degree of protection	IK05 conforming to EN 50102
Class of protection against electric shock	Class I conforming to IEC 61140 Class I conforming to NF C 20-030
Ambient air temperature for operation	-25...70 °C
Ambient air temperature for storage	-40...70 °C
Protective treatment	TC
Product certifications	CSA UL
Standards	CSA C22-2 No 14 EN 60204-1 EN 60947-5-1 IEC 60204-1 IEC 60947-5-1 UL 508
RoHS EUR conformity date	4Q2009
RoHS EUR status	Will be compliant