



Price* : 194.00 GBP



Main

| | |
|-------------------------------|---|
| Range of product | OsiSense XC |
| Series name | Special format |
| Product or component type | Limit switch |
| Product specific application | For hoisting and mechanical handling applications |
| Device short name | XCKMR |
| Body type | Fixed |
| Head type | Rotary head |
| Material | Metal |
| Body material | Zamak |
| Head material | Zamak |
| Fixing mode | By the body |
| Movement of operating head | Rotary |
| Type of operator | Stay put crossed rods lever metal square rod 6 mm, L = 200 mm |
| Type of approach | Lateral approach, 2 directions |
| Cable entry | 3 entries tapped for M20 x 1.5 cable gland, cable outer diameter: 7...13 mm |
| Number of poles | 4 |
| Contacts type and composition | 2 x (2 NC) |
| Contact operation | Slow-break, staggered |

Complementary

| | |
|---|---|
| Switch actuation | By any moving part |
| Electrical connection | Screw-clamp terminals, clamping capacity: 1 x 0.5...2 x 2.5 mm ² |
| Contacts insulation form | Zb |
| Number of steps | 5 electrical positions |
| Contact block per direction [control circuit] | 1 per direction |
| Positive opening | With |

| | |
|--|--|
| Positive opening minimum torque | 0.75 N.m |
| Minimum torque for tripping | 0.5 N.m |
| Minimum actuation speed | 6 m/min |
| Maximum actuation speed | 1.5 m/s actuation point on the rod between 65 and 95 mm |
| Maximum displacement angle | -180 ° 180 ° |
| Contact code designation | A300, AC-15 (Ue = 240 V), Ie = 3 A, Ithe = 10 A conforming to EN/IEC 60947-5-1 appendix A Q150, DC-13 (Ue = 125 V), Ie = 0.55 A conforming to EN/IEC 60947-5-1 appendix A |
| [Ui] rated insulation voltage | 300 V conforming to UL 508 300 V conforming to CSA C22.2 No 14 500 V (pollution degree 3) conforming to EN/IEC 60947-1 |
| Maximum resistance across terminals | 25 MOhm conforming to IEC 60255-7 category 3 |
| [Uimp] rated impulse withstand voltage | IEC 60664 6 kV EN/IEC 60947-1 6 kV |
| Short-circuit protection | 10 A cartridge fuse, type gG |
| Mechanical durability | 2000000 cycles |
| Width | 200 mm |
| Height | 118 mm |
| Depth | 59 mm |
| Product weight | 0.55 kg |
| Terminals description ISO n°1 | (11-12)NC (21-22)NC |

Environment

| | |
|---------------------------------------|---|
| Shock resistance | 50 gn conforming to EN/IEC 60068-2-27 |
| Vibration resistance | 25 gn (f= 10...500 Hz) conforming to EN/IEC 60068-2-6 |
| IP degree of protection | IP66 conforming to EN/IEC 60529 |
| IK degree of protection | IK07 conforming to EN 50102 |
| Electrical shock protection class | Class I conforming to IEC 60536 |
| Ambient air temperature for operation | -25...70 °C |
| Ambient air temperature for storage | -40...85 °C |
| Protective treatment | TC |
| Product certifications | CSA UL CCC CE |
| Standards | EN/IEC 60947-5-1 CSA C22.2 No 14 UL 508 |

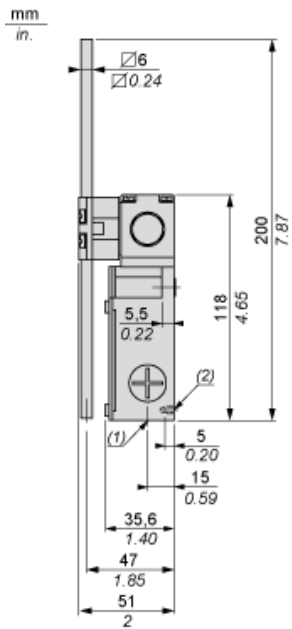
Offer Sustainability

| | |
|----------------------------|---|
| Sustainable offer status | Green Premium product |
| EU RoHS Directive | Pro-active compliance (Product out of EU RoHS legal scope) EU RoHS Declaration |
| Mercury free | Yes |
| RoHS exemption information | Yes |
| Environmental Disclosure | Product Environmental Profile |
| Circularity Profile | No need of specific recycling operations |

Contractual warranty

| | |
|----------|-----------|
| Warranty | 18 months |
|----------|-----------|

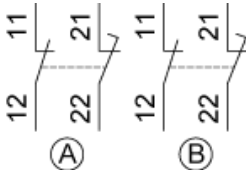
Dimensions



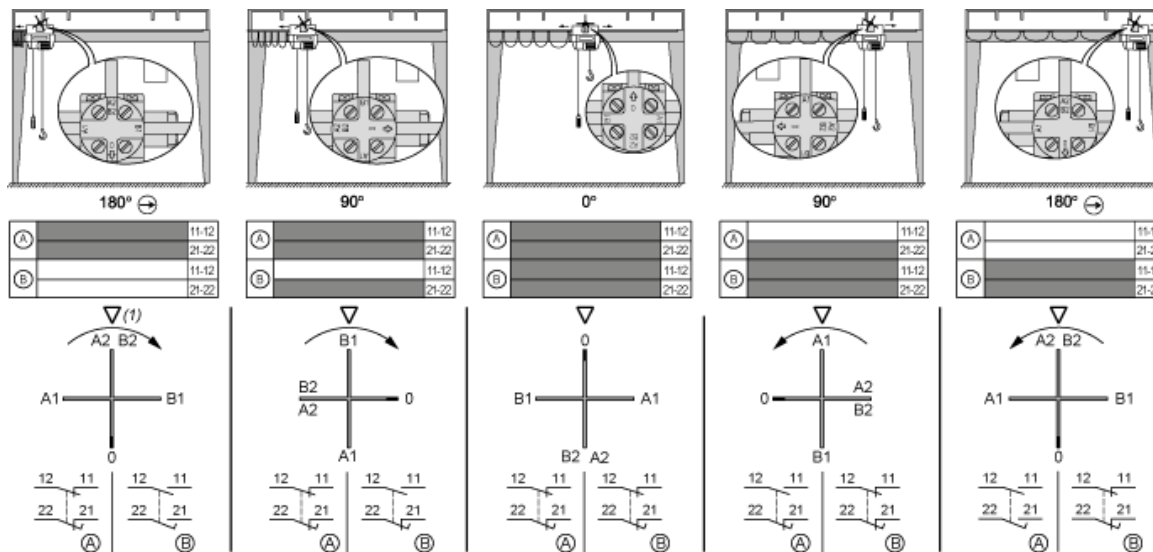
- (1) 3 tapped entries ISO M20x1.5
- (2) 2 centring holes $\varnothing 3.9 \pm 0.2$, for cover fixing holes alignment.

Wiring Diagram

2 x 2-pole NC+NC Break Before Make, Slow Break (Non Interchangeable Contacts)



Functionnal Diagram



(1) Triangle symbol marked on top of head.