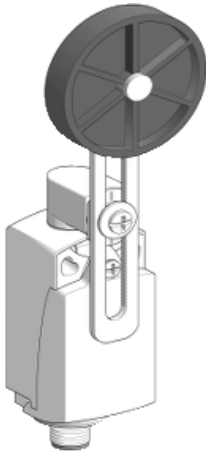




Price\* : 54.84 GBP



## Main

|                               |   |
|-------------------------------|---|
| Range of product              | OsiSense XC   |
| Series name                   | Standard format   |
| Product or component type     | Limit switch  |
| Device short name             | XCKP  |
| Sensor design                 | Compact   |
| Body type                     | Fixed   |
| Head type                     | Rotary head   |
| Material                      | Plastic   |
| Body material                 | Plastic   |
| Head material                 | Zamak   |
| Fixing mode                   | By the body   |
| Movement of operating head    | Rotary  |
| Type of operator              | Spring return roller lever thermoplastic variable length, roller diameter 50 mm |
| Type of approach              | Lateral approach, 2 directions  |
| Number of poles               | 2   |
| Contacts type and composition | 1 NC + 1 NO   |
| Contact operation             | Snap action   |

## Complementary

|                                |   |
|--------------------------------|---|
| Switch actuation               | By 30° cam  |
| Electrical connection          | Male connector M12, 4 pins                                    |
| Contacts insulation form       | Zb  |
| Positive opening               | With  |
| Minimum torque for tripping    | 0.1 N.m   |
| Maximum actuation speed        | 1.5 m/s   |
| Repeat accuracy                | 0.1 mm on the tripping points with 1 million operating cycles |
| [Ie] rated operational current | 3 A at 240 V, AC-15 conforming to EN/IEC 60947-5-1 appendix A |

0.27 A at 250 V, DC-13 conforming to EN/IEC 60947-5-1 appendix A

|  |  |
|--|--|
| [Ithe] conventional enclosed thermal current | 3 A  |
| [Ui] rated insulation voltage                | 300 V conforming to UL 508<br>300 V conforming to CSA C22.2 No 14<br>250 V (pollution degree 3) conforming to IEC 60947-1  |
| Maximum resistance across terminals          | 25 MOhm conforming to IEC 60255-7 category 3   |
| [Uimp] rated impulse withstand voltage       | IEC 60664 2.5 kV<br>IEC 60947-1 2.5 kV   |
| Short-circuit protection                     | 4 A cartridge fuse, type gG  |
| Electrical durability                        | 5000000 cycles, DC-13, 120 V, 4 W, operating rate <60 cyc/mn, load factor: 0.5 conforming to IEC 60947-5-1 appendix C<br>5000000 cycles, DC-13, 24 V, 10 W, operating rate <60 cyc/mn, load factor: 0.5 conforming to IEC 60947-5-1 appendix C<br>5000000 cycles, DC-13, 48 V, 7 W, operating rate <60 cyc/mn, load factor: 0.5 conforming to IEC 60947-5-1 appendix C |
| Mechanical durability                        | 10000000 cycles  |
| Width  | 31 mm  |
| Height                                       | 65 mm  |
| Depth  | 30 mm  |
| Product weight                               | 0.16 kg  |
| Terminals description ISO n°1                | (21-22)NC<br>(13-14)NO   |

## Environment

|                                       |   |
|---------------------------------------|---|
| Shock resistance                      | 50 gn for 11 ms conforming to IEC 60068-2-27  |
| Vibration resistance                  | 25 gn (f= 10...500 Hz) conforming to IEC 60068-2-6                                      |
| IP degree of protection               | IP66 conforming to IEC 60529<br>IP67 conforming to IEC 60529                            |
| IK degree of protection               | IK04 conforming to EN 50102   |
| Electrical shock protection class     | Class II conforming to IEC 61140<br>Class II conforming to NF C 20-030                  |
| Ambient air temperature for operation | -25...70 °C   |
| Ambient air temperature for storage   | -40...70 °C   |
| Protective treatment                  | TC  |
| Product certifications                | CSA<br>UL<br>CCC  |
| Standards                             | CSA C22.2 No 14<br>EN 60204-1<br>UL 508<br>IEC 60204-1<br>IEC 60947-5-1<br>EN 60947-5-1 |

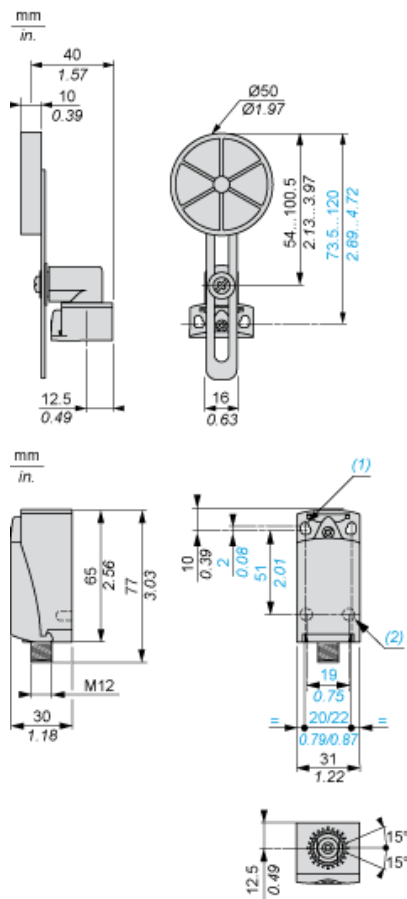
## Offer Sustainability

|                            |   |
|----------------------------|---|
| Sustainable offer status   | Green Premium product   |
| EU RoHS Directive          | Pro-active compliance (Product out of EU RoHS legal scope)<br><a href="#">EU RoHS Declaration</a> |
| Mercury free               | Yes   |
| RoHS exemption information | <a href="#">Yes</a>   |
| Environmental Disclosure   | <a href="#">Product Environmental Profile</a>   |
| Circularity Profile        | <a href="#">End of Life Information</a>   |

## Contractual warranty

|          |           |
|----------|-----------|
| Warranty | 18 months |
|----------|-----------|

Dimensions



- (1) 2 elongated holes  $\text{Ø} 4.3 \times 6.3$  mm on 22 mm centres, 2 holes  $\text{Ø} 4.3$  on 20 mm centres.  
 (2) 2 x  $\text{Ø} 3$  holes for support studs, depth 4 mm.

---

Mounting with Cable Entry

---

Position of Cable Gland



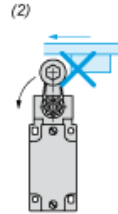
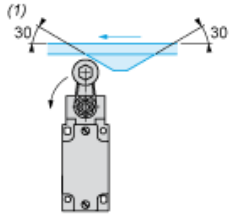
- (1) Recommended
- (2) To be avoided

---

Mounting with Rotary Heads and Levers

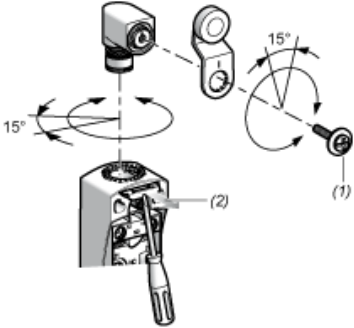
---

Type of Cam



- (1) Recommended
- (2) To be avoided

Setting-up with Head ZCE01 and ZCE09



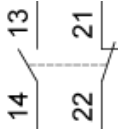
- (1) Tightening torque (Min : 1) (Max : 1.5)
- (2) Tightening torque (Min : 0.8) (Max : 1.2)

---

Wiring Diagram

---

2-pole NC + NO Snap Action

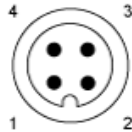


---

Connections

---

M12 Connector



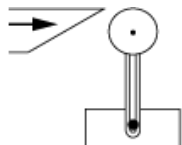
1-2 : NC  
3-4 : NO

---

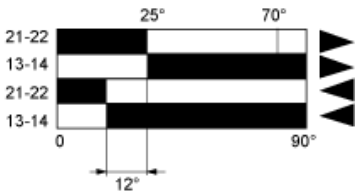
Characteristics of Actuation

---

Switch Actuation by 30° Cam



Functionnal Diagram



- (1) Closed
- (2) Open
- (4) Tripping
- (5) Resetting