



Main

| | |
|-------------------------------|--|
| Range of product | OsiSense XC |
| Series name | Special format |
| Product or component type | Limit switch |
| Product specific application | For hoisting and mechanical handling applications |
| Device short name | XCKVR |
| Body type | Fixed |
| Head type | Rotary head |
| Material | Plastic |
| Body material | (PBT+PC)-GF30 FR |
| Head material | (PBT+PC)-GF30 FR |
| Fixing mode | By the body |
| Movement of operating head | Rotary |
| Type of operator | Stay put crossed rods lever metal square rod 6 mm, L = 200 mm |
| Type of approach | Lateral approach, 2 directions |
| Cable entry | 1 entry tapped and 2 breakout holes for M20 x 1.5 cable gland, cable outer diameter: 7...13 mm |
| Number of poles | 4 |
| Contacts type and composition | 2 x (1 NC + 1 NO) |
| Contact operation | Slow-break, break before make |

Complementary

| | |
|---|---|
| Switch actuation | By any moving part |
| Electrical connection | Screw-clamp terminals, clamping capacity: 1 x 0.5...2 x 2.5 mm ² |
| Contacts insulation form | Zb |
| Number of steps | 4 electrical positions |
| Contact block per direction [control circuit] | 2 per direction |
| Positive opening | Without |
| Minimum torque for tripping | 0.5 N.m |
| Minimum actuation speed | 6 m/min |
| Maximum actuation speed | 1.5 m/s actuation point on the rod between 65 and 95 mm |
| Maximum displacement angle | -180 ° |

180 °

| | |
|--|--|
| Contact code designation | A300, AC-15 (Ue = 240 V), Ie = 3 A, Ithe = 10 A conforming to EN/IEC 60947-5-1 appendix A Q150, DC-13 (Ue = 125 V), Ie = 0.55 A conforming to EN/IEC 60947-5-1 appendix A |
| [Ui] rated insulation voltage | 300 V conforming to UL 508 300 V conforming to CSA C22.2 No 14 500 V (pollution degree 3) conforming to EN/IEC 60947-1 |
| Maximum resistance across terminals | 25 MOhm conforming to IEC 60255-7 category 3 |
| [Uimp] rated impulse withstand voltage | IEC 60664 6 kV EN/IEC 60947-1 6 kV |
| Short-circuit protection | 10 A cartridge fuse, type gG |
| Mechanical durability | 1000000 cycles |
| Width | 200 mm |
| Height | 200 mm |
| Depth | 57 mm |
| Product weight | 0.32 kg |
| Terminals description ISO n°1 | (21-22)NC (13-14)NO |

Environment

| | |
|---------------------------------------|---|
| Shock resistance | 50 gn conforming to EN/IEC 60068-2-27 |
| Vibration resistance | 25 gn (f= 10...500 Hz) conforming to EN/IEC 60068-2-6 |
| IP degree of protection | IP65 conforming to EN/IEC 60529 |
| IK degree of protection | IK04 conforming to EN 50102 |
| Electrical shock protection class | Class II conforming to IEC 60536 |
| Ambient air temperature for operation | -25...70 °C |
| Ambient air temperature for storage | -40...70 °C |
| Protective treatment | TC |
| Product certifications | CE CSA CCC UL |
| Standards | UL 508 CSA C22.2 No 14 EN/IEC 60947-5-1 |

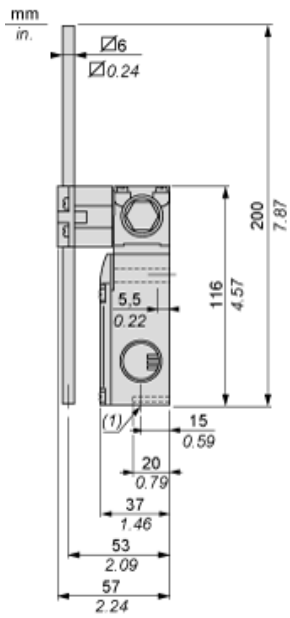
Offer Sustainability

| | |
|----------------------------|---|
| EU RoHS Directive | Pro-active compliance (Product out of EU RoHS legal scope) EU RoHS Declaration |
| Mercury free | Yes |
| RoHS exemption information | Yes |

Contractual warranty

| | |
|----------|-----------|
| Warranty | 18 months |
|----------|-----------|

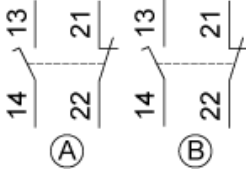
Dimensions



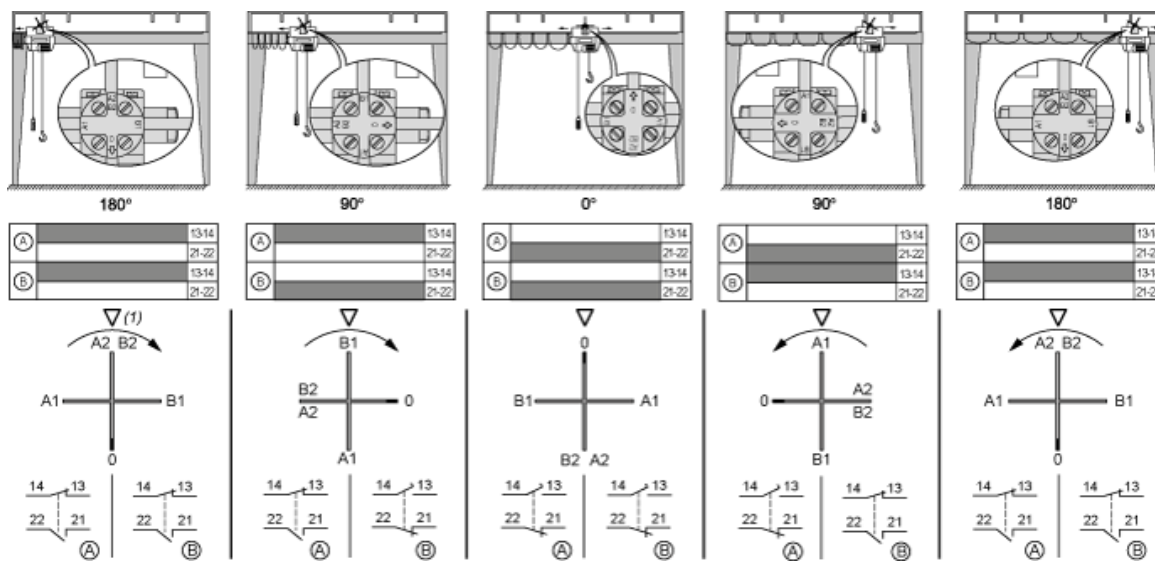
(1) 1 tapped entry ISO M20x1.5

Wiring Diagram

2 x 2-pole NC+NO Break Before Make, Slow Break



Functionnal Diagram



(1) Triangle symbol marked on top of head.