

# XCRA11

limit switch XCR - metal spring return rod lever  
square rod 6 mm - 2X(1NC+NO)



Price\* : 163.40 GBP



## Main

|   |  |
|---|--|
| Range of product                              | OsiSense XC  |
| Series name                                   | Special format   |
| Product or component type                     | Limit switch   |
| Product specific application                  | For hoisting and mechanical handling applications                            |
| Device short name                             | XCR  |
| Sensor design                                 | -  |
| Body type                                     | Fixed  |
| Head type                                     | Rotary head  |
| Material                                      | Metal  |
| Fixing mode                                   | By the body  |
| Movement of operating head                    | Rotary   |
| Type of operator                              | Spring return rod lever metal square rod 6 mm                                |
| Type of approach                              | Lateral approach, 2 directions   |
| Electrical connection                         | Screw-clamp terminals, clamping capacity: 1 x 0.34...2 x 1.5 mm <sup>2</sup> |
| Number of poles                               | 4  |
| Contacts type and composition                 | 2 x (1 NC + 1 NO)  |
| Contact operation                             | Snap action  |
| Contact block per direction [control circuit] | 2 per direction  |
| Positive opening                              | With   |

## Complementary

|                          |   |
|--------------------------|---|
| Body material            | Zinc alloy  |
| Switch actuation         | By any moving part  |
| Cable entry              | 1 entry tapped for Pg 13.5 cable gland, cable outer diameter: 9...12 mm conforming to NF C 68-300 |
| Contacts insulation form | Zb  |
| Number of steps          | 1   |

|  |   |
|--|---|
| Positive opening minimum torque        | 0.75 N.m  |
| Minimum torque for tripping            | 0.45 N.m  |
| Minimum actuation speed                | 0.01 m/min  |
| Maximum actuation speed                | 1.5 m/s   |
| Maximum displacement angle             | 55 °<br>-55 °   |
| Contact code designation               | A300, AC-15 (Ue = 240 V), Ie = 3 A conforming to EN/IEC 60947-5-1 appendix A<br>Q300, DC-13 (Ue = 250 V), Ie = 0.27 A conforming to EN/IEC 60947-5-1 appendix A   |
| [Ui] rated insulation voltage          | 300 V conforming to UL 508<br>500 V (pollution degree 3) conforming to IEC 60947-1<br>500 V (pollution degree 3) conforming to VDE 0110<br>300 V conforming to CSA C22.2 No 14  |
| Maximum resistance across terminals    | 25 MOhm conforming to IEC 60255-7 category 3  |
| [Uimp] rated impulse withstand voltage | IEC 60664 6 kV<br>IEC 60947-1 6 kV  |
| Short-circuit protection               | 10 A cartridge fuse, type gG  |
| Electrical durability                  | 5000000 cycles, DC-13, inductive load type, 120 V, 4 W, operating rate <60 cyc/mn, load factor: 0.5 conforming to IEC 60947-5-1 appendix C<br>5000000 cycles, DC-13, inductive load type, 24 V, 7 W, operating rate <60 cyc/mn, load factor: 0.5 conforming to IEC 60947-5-1 appendix C<br>5000000 cycles, DC-13, inductive load type, 48 V, 10 W, operating rate <60 cyc/mn, load factor: 0.5 conforming to IEC 60947-5-1 appendix C |
| Mechanical durability                  | 10000000 cycles   |
| Width                                  | 85 mm   |
| Height                                 | 95 mm   |
| Depth                                  | 75 mm   |
| Product weight                         | 1.11 kg   |
| Terminals description ISO n°1          | (13-14)NO<br>(21-22)NC  |

## Environment

|                                       |  |
|---------------------------------------|--|
| Shock resistance                      | 68 gn conforming to IEC 60068-2-27   |
| Vibration resistance                  | 9 gn (f= 10...500 Hz) conforming to IEC 60068-2-6  |
| IP degree of protection               | IP54 conforming to IEC 60529   |
| Overvoltage category                  | Class I conforming to IEC 61140<br>Class I conforming to NF C 20-030                         |
| Ambient air temperature for operation | -25...70 °C  |
| Ambient air temperature for storage   | -40...70 °C  |
| Protective treatment                  | TC   |
| Product certifications                | CSA<br>CCC   |
| Standards                             | EN 60947-5-1<br>IEC 60947-5-1<br>EN 60204-1<br>IEC 60204-1<br>CSA C22.2 No 14<br>NF C 79-130 |

## Offer Sustainability

|                            |   |
|----------------------------|---|
| Sustainable offer status   | Green Premium product   |
| EU RoHS Directive          | Pro-active compliance (Product out of EU RoHS legal scope)<br><a href="#">EU RoHS Declaration</a> |
| Mercury free               | Yes   |
| RoHS exemption information | <a href="#">Yes</a>   |
| Environmental Disclosure   | <a href="#">Product Environmental Profile</a>   |
| Circularity Profile        | No need of specific recycling operations  |

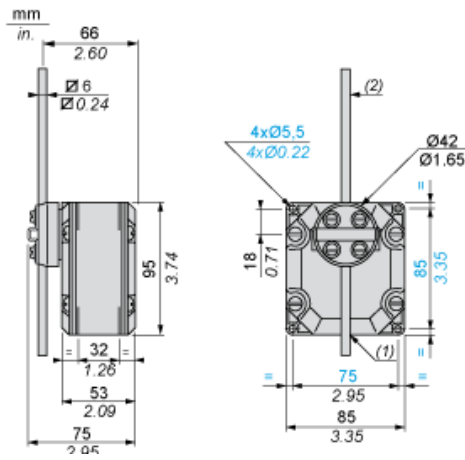
## Contractual warranty

---

|          |           |
|----------|-----------|
| Warranty | 18 months |
|----------|-----------|

---

Dimensions



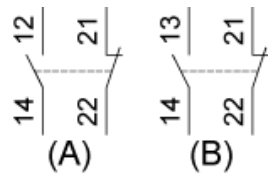
- (1) 1 tapped entry for n° 13 cable gland.
- (2) Rod length: 200 mm.

---

Wiring Diagram

---

Two 2-pole NC + NO Snap Action



- (A) 1<sup>st</sup> contact
- (B) 2<sup>nd</sup> contact

Functionnal Diagram

