

| | |
|--|--|
| Tripping point | 15.2 mm lever fixing position in A 15.2 mm lever fixing position in B 15.2 mm lever fixing position in C |
| Maximum differential travel | 0.53 mm lever fixing position in C 0.7 mm lever fixing position in B 1.4 mm lever fixing position in A |
| Minimum over travel | 1.8 mm lever fixing position in C 2.4 mm lever fixing position in B 4.8 mm lever fixing position in A |
| Inter contact distance | 0.4 mm |
| Contact code designation | B300, AC-15 (U _e = 240 V, I _e = 1.5 A) conforming to EN/IEC 60947-5-1 appendix A R300, DC-13 (U _e = 250 V, I _e = 0.1 A) conforming to EN/IEC 60947-5-1 appendix A |
| [I _{th}] conventional free air thermal current | 15 A at 250 V 50/60 Hz |
| Mechanical durability | 20000000 cycles |
| Width | 10 mm |
| Height | 16 mm |
| Depth | 28 mm |
| Product weight | 6.3 g |
| Terminals description ISO n°1 | (1-2-4)OC |

Environment

| | |
|---------------------------------------|---|
| IP degree of protection | IP40 |
| Ambient air temperature for operation | -25...125 °C |
| Marking | CE |
| Standards | CURus IEC 60947-5-1 UL 1054 EN 61058 EN 60947-5-1 |

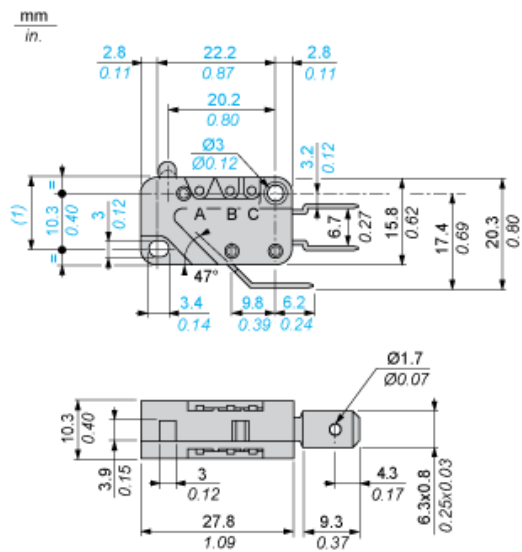
Offer Sustainability

| | |
|----------------------------|---|
| Sustainable offer status | Green Premium product |
| EU RoHS Directive | Pro-active compliance (Product out of EU RoHS legal scope) EU RoHS Declaration |
| Mercury free | Yes |
| RoHS exemption information | Yes |
| Environmental Disclosure | Product Environmental Profile |
| Circularity Profile | No need of specific recycling operations |

Contractual warranty

| | |
|----------|-----------|
| Warranty | 18 months |
|----------|-----------|

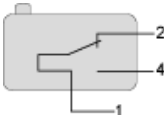
Dimensions



(1) 13.2 max.

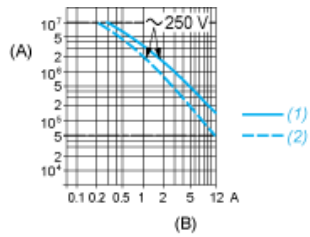
Wiring Diagram

Single-pole CO Snap Action



- 1 : Black
- 2 : Grey
- 4 : Blue

Operating Curves



- (A) Number of cycles
- (B) Current
- 1 : Resistive circuit
- 2 : Inductive circuit