



|  |  |
|--|--|
| Tripping point   | 15.2 mm lever fixing position in A<br>15.2 mm lever fixing position in B<br>15.2 mm lever fixing position in C   |
| Maximum differential travel                              | 0.53 mm lever fixing position in C<br>0.7 mm lever fixing position in B<br>1.4 mm lever fixing position in A   |
| Minimum over travel                                      | 1.65 mm lever fixing position in C<br>2.2 mm lever fixing position in B<br>4.4 mm lever fixing position in A   |
| Inter contact distance                                   | 0.4 mm   |
| Contact code designation                                 | B300, AC-15 (U <sub>e</sub> = 240 V, I <sub>e</sub> = 1.5 A) conforming to IEC 60947-5-1 appendix A<br>D300, AC-15 (U <sub>e</sub> = 240 V, I <sub>e</sub> = 0.3 A) conforming to IEC 60947-5-1 appendix A |
| [I <sub>th</sub> ] conventional free air thermal current | 5 A at 250 V 50/60 Hz  |
| Mechanical durability                                    | 50000000 cycles  |
| Width  | 10 mm  |
| Height   | 16 mm  |
| Depth  | 28 mm  |
| Product weight   | 6.3 g  |
| Terminals description ISO n°1                            | (1-2-4)OC  |

## Environment

|                                       |   |
|---------------------------------------|---|
| IP degree of protection               | IP40  |
| Ambient air temperature for operation | -25...125 °C  |
| Marking                               | CE  |
| Standards                             | UL 1054<br>CURus<br>IEC 60947-5-1<br>EN 60947-5-1<br>EN 61058 |

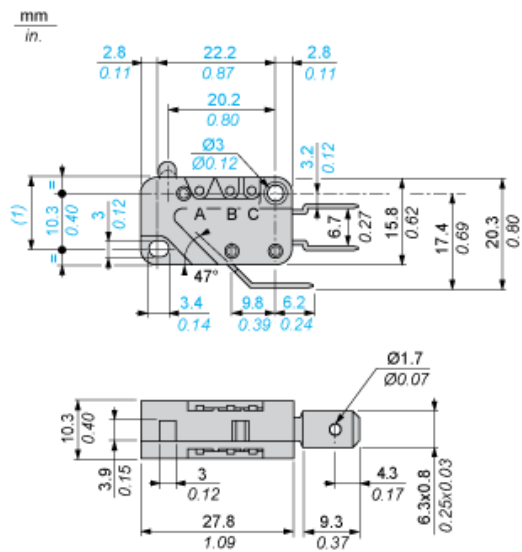
## Offer Sustainability

|                            |   |
|----------------------------|---|
| Sustainable offer status   | Green Premium product   |
| EU RoHS Directive          | Pro-active compliance (Product out of EU RoHS legal scope)<br><a href="#">EU RoHS Declaration</a> |
| Mercury free               | Yes   |
| RoHS exemption information | <a href="#">Yes</a>   |
| Environmental Disclosure   | <a href="#">Product Environmental Profile</a>   |
| Circularity Profile        | No need of specific recycling operations  |

## Contractual warranty

|          |           |
|----------|-----------|
| Warranty | 18 months |
|----------|-----------|

Dimensions

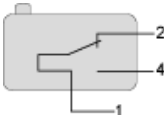


---

Wiring Diagram

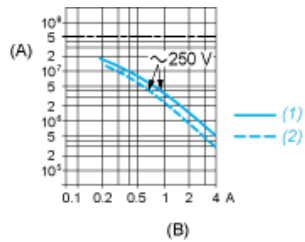
---

Single-pole CO Snap Action



- 1 : Black
- 2 : Grey
- 4 : Blue

Operating Curves



- (A) Number of cycles
- (B) Current
- 1 : Resistive circuit
- 2 : Inductive circuit