

# XEP3S2W6

miniature limit switch - low force cont. - flat  
plunger - 4.8 mm cable clip tags



Price\* : 2.90 GBP



## Main

|                               |                               |
|-------------------------------|-------------------------------|
| Range of product              | OsiSense XC                   |
| Series name                   | Special format                |
| Product or component type     | Microswitch                   |
| Device short name             | XEP3                          |
| Detector design               | Miniature, DIN 41635 A format |
| Head type                     | Plunger head                  |
| Movement of operating head    | Linear                        |
| Type of operator              | Plunger                       |
| Switch actuation              | On end                        |
| Type of approach              | Vertical approach             |
| Electrical connection         | 4.8 mm cable clip tags        |
| Contacts type and composition | 1 C/O very low force          |
| Contact operation             | Snap action                   |
| Contacts material             | AgNi                          |

## Complementary

|   |  |
|---|--|
| Body material                           | Polyester  |
| Maximum force for tripping              | 0.25 N lever fixing position in A<br>0.25 N lever fixing position in B<br>0.25 N lever fixing position in C    |
| Minimum release force                   | 0.05 N lever fixing position in A<br>0.05 N lever fixing position in B<br>0.05 N lever fixing position in C    |
| Maximum permissible end of travel force | 20 N lever fixing position in A<br>20 N lever fixing position in B<br>20 N lever fixing position in C          |
| Tripping point                          | 14.7 mm lever fixing position in A<br>14.7 mm lever fixing position in B<br>14.7 mm lever fixing position in C |

|   |  |
|---|--|
| Maximum differential travel                 | 0.35 mm lever fixing position in A<br>0.35 mm lever fixing position in B<br>0.35 mm lever fixing position in C   |
| Minimum over travel                         | 1.1 mm lever fixing position in A<br>1.1 mm lever fixing position in B<br>1.1 mm lever fixing position in C  |
| Inter contact distance                      | 0.4 mm   |
| Contact code designation                    | B300, AC-15 (Ue = 240 V, Ie = 1.5 A) conforming to EN/IEC 60947-5-1 appendix A<br>D300, AC-15 (Ue = 240 V, Ie = 0.3 A) conforming to EN/IEC 60947-5-1 appendix A |
| [Ith] conventional free air thermal current | 5 A at 250 V 50/60 Hz  |
| Mechanical durability                       | 50000000 cycles  |
| Width                                       | 10 mm  |
| Height                                      | 16 mm  |
| Depth                                       | 28 mm  |
| Product weight                              | 5.6 g  |
| Terminals description ISO n°1               | (1-2-4)OC  |

## Environment

|                                       |   |
|---------------------------------------|---|
| IP degree of protection               | IP40  |
| Ambient air temperature for operation | -25...125 °C  |
| Marking                               | CE  |
| Standards                             | UL 1054<br>CURus<br>EN 60947-5-1<br>EN 61058<br>IEC 60947-5-1 |

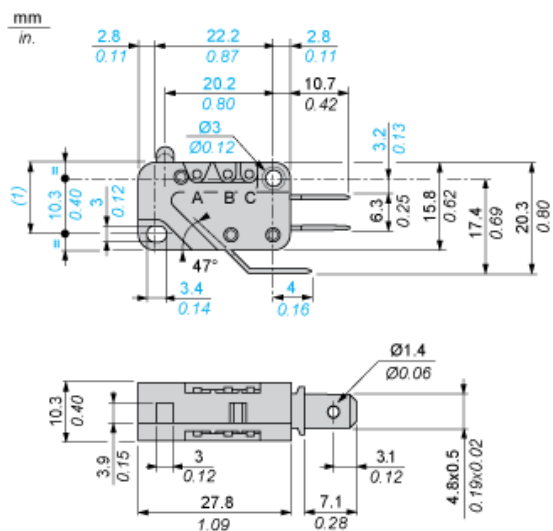
## Offer Sustainability

|                            |   |
|----------------------------|---|
| Sustainable offer status   | Green Premium product   |
| EU RoHS Directive          | Pro-active compliance (Product out of EU RoHS legal scope)<br><a href="#">EU RoHS Declaration</a> |
| Mercury free               | Yes   |
| RoHS exemption information | <a href="#">Yes</a>   |
| Environmental Disclosure   | <a href="#">Product Environmental Profile</a>   |
| Circularity Profile        | No need of specific recycling operations  |

## Contractual warranty

|          |           |
|----------|-----------|
| Warranty | 18 months |
|----------|-----------|

Dimensions



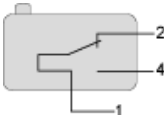
(1) 13.2 max.

---

Wiring Diagram

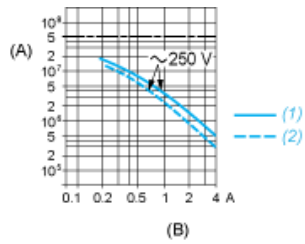
---

Single-pole CO Snap Action



- 1 : Black
- 2 : Grey
- 4 : Blue

Operating Curves



- (A) Number of cycles
- (B) Current
- 1 : Resistive circuit
- 2 : Inductive circuit