



Price* : 403.90 GBP



Main

| | |
|---|---|
| Range of product | OsiSense ATEX D |
| Pressure sensor type | Electromechanical pressure sensor |
| Product specific application | ATEX D |
| Pressure sensor name | XMLB |
| Electrical circuit type | Control circuit |
| Pressure switch type of operation | Regulation between 2 thresholds |
| Scale type | Adjustable differential |
| Pressure sensor size | 20 bar |
| Local display | With |
| Fluid connection type | G 1/4 (female) conforming to ISO 228 |
| Adjustable range of switching point on falling pressure | 0.3...18.4 bar |
| Adjustable range of switching point on rising pressure | 1.3...20 bar |
| Possible differential maximum at high setting | 11 bar |
| Maximum permissible accidental pressure | 45 bar |
| Destruction pressure | 90 bar |
| Pressure actuator | Diaphragm |
| Controlled fluid | Air (0...70 °C) Water (0...70 °C) Hydraulic oil (0...70 °C) |
| Materials in contact with fluid | Nitrile Zinc alloy |
| Enclosure material | Zinc alloy |

Disclaimer: This documentation is not intended as a substitute for and is not to be used for determining suitability or reliability of these products for specific user applications

Complementary

| | |
|--|---|
| Maximum permissible pressure - per cycle | 25 bar |
| Cable entry number | 1 tapped entry for M20 x 1.5 cable gland (included) |
| Terminal block type | 4 terminals |
| Repeat accuracy | 2 % |
| Auxiliary contacts operation | Snap action |
| Contacts material | Silver contacts |
| Mechanical durability | 5000000 cycles |
| Setting | External |
| Terminals description ISO n°1 | (13-14-11-12)OF |
| Height | 113 mm |
| Depth | 75 mm |
| Width | 35 mm |

Environment

| | |
|---------------------------------------|---|
| Standards | EN/IEC 60079-0 EN/IEC 60079-31 |
| Directives | 2014/34/EU - ATEX directive |
| Product certifications | INERIS 04ATEX0058 IEC-Ex INE 17.0019 |
| Marking | II2 D-Ex tb IIIC T85°C Db IP66 |
| Protective treatment | TC |
| Ambient air temperature for operation | -20...60 °C |
| Operating position | Any position |

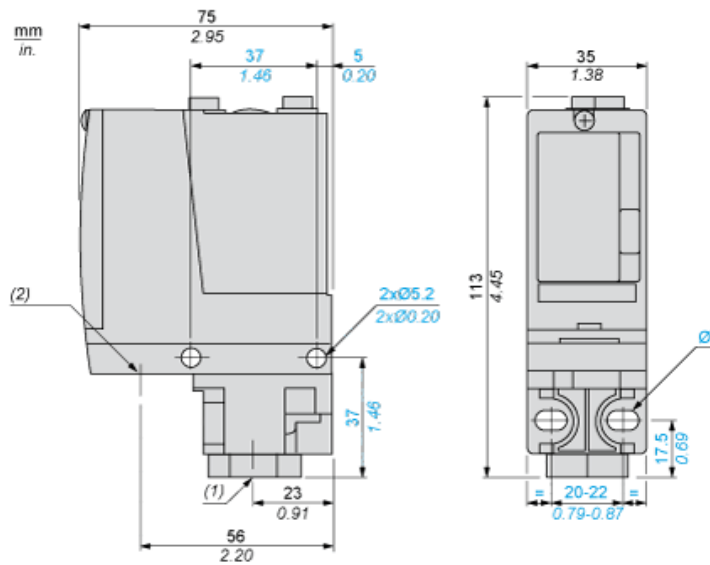
Offer Sustainability

| | |
|----------------------------|---|
| Sustainable offer status | Green Premium product |
| EU RoHS Directive | Pro-active compliance (Product out of EU RoHS legal scope) EU RoHS Declaration |
| Mercury free | Yes |
| RoHS exemption information | Yes |
| Environmental Disclosure | Product Environmental Profile |
| Circularity Profile | No need of specific recycling operations |

Contractual warranty

| | |
|----------|-----------|
| Warranty | 18 months |
|----------|-----------|

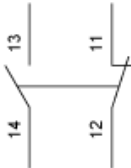
Dimensions



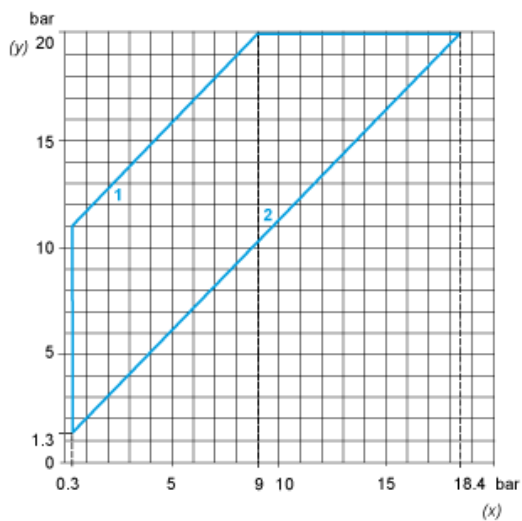
- (1) 1 fluid entry, tapped G1/4 (BSP female)
- (2) 1 electrical connections entry, tapped M20 x 1.5
- Ø : 2 elongated holes Ø 5.2 x 6.7

Wiring Diagram

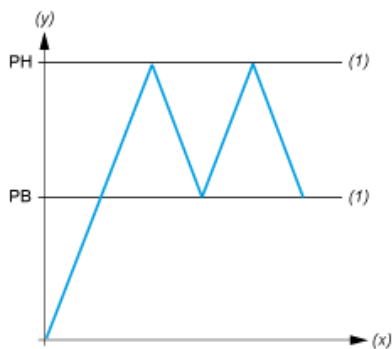
Terminal Model



Operating Curves



- (y) Rising pressure
- (x) Falling pressure
- 1 : Maximum differential
- 2 : Minimum differential



- (y) Pressure
- (x) Time
- (1) Adjustable value
- PH : High point
- PB : Below point