



Main

| | |
|-----------------------------------------|--------------------------------------------------------------------------------------------------------------------------------------------------------------------------------------------------|
| Range of product | OsiSense XM |
| Product or component type | Electromechanical pressure sensor |
| Pressure sensor type | Electromechanical pressure sensor |
| Device short name | XMLD |
| Pressure sensor size | 2.5 bar |
| Controlled fluid | Corrosive fluid (0...160 °C) |
| Fluid connection type | 1/4" - 18 NPTF (female) |
| Electrical connection | Screw-clamps terminals, 1 x 0.5...2 x 2.5 mm ² |
| AWG gauge | AWG 20...AWG 14 |
| Cable entry | Cable gland |
| Contacts type and composition | 2 C/O snap action, silver contacts 2 C/O staggered, silver contacts |
| Product specific application | Dual stage |
| Pressure switch type of operation | Detection of 2 single thresholds |
| Electrical circuit type | Control circuit |
| Scale type | Fixed differential |
| Local display | Without |
| Maximum permissible accidental pressure | 9 bar |
| Destruction pressure | 18 bar |
| Pressure actuator | Diaphragm |
| Materials in contact with fluid | 316L stainless steel PTFE |
| Enclosure material | Zinc alloy |
| [In] rated current | 3 A, B300, AC-15 (Ue = 120 V) conforming to EN/IEC 60947-5-1 1.5 A, B300, AC-15 (Ue = 240 V) conforming to EN/IEC 60947-5-1 0.1 A, R300, DC-13 (Ue = 250 V) conforming to EN/IEC 60947-5-1 |

Complementary

| | |
|--------------------------------------|-----------------|
| Spread between 2 stages | 0.14... 1.5 bar |
| Natural differential at low setting | 0.14 bar |
| Natural differential at high setting | 0.19 bar |

| | |
|------------------------------------------|---------------------------------------------------------------------------------------------------------|
| Maximum permissible pressure - per cycle | 5 bar |
| Terminal block type | 8 terminals |
| Maximum operating rate | 120 cyc/mn |
| Repeat accuracy | 2 % |
| [Ui] rated insulation voltage | 300 V conforming to UL 508 500 V conforming to EN/IEC 60947-1 300 V conforming to CSA C22.2 No 14 |
| [Uimp] rated impulse withstand voltage | EN/IEC 60947-1 6 kV |
| Maximum resistance across terminals | 25 mOhm conforming to IEC 255-7 category 3 25 mOhm conforming to NF C 93-050 method A |
| Short-circuit protection | 10 A cartridge fuse, type gG (gl) |
| Mechanical durability | 8000000 cycles |
| Setting | External |
| Height | 113 mm |
| Depth | 85 mm |
| Width | 46 mm |
| Product weight | 1.015 kg |

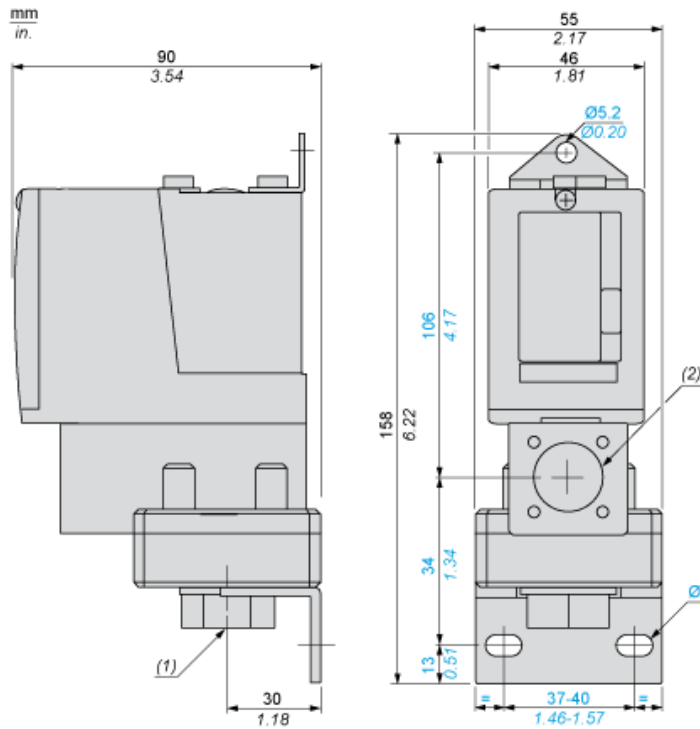
Environment

| | |
|---------------------------------------|------------------------------------------------------------------------------------------------------|
| Standards | CSA C22.2 No 14 CE EN/IEC 60947-5-1 UL 508 |
| Product certifications | EAC UL CSA |
| Protective treatment | TC standard version |
| Ambient air temperature for operation | -25...70 °C |
| Ambient air temperature for storage | -40...70 °C |
| Operating position | Any position |
| Vibration resistance | 4 gn conforming to IEC 60068-2-6 (f = 30...500 Hz) |
| Shock resistance | 50 gn conforming to IEC 60068-2-27 |
| Electrical shock protection class | Class I conforming to IEC 1140 Class I conforming to IEC 536 Class I conforming to NF C 20-030 |
| IP degree of protection | IP66 conforming to EN/IEC 60529 |

Contractual warranty

| | |
|----------|-----------|
| Warranty | 18 months |
|----------|-----------|

Dimensions



- (1) 1 fluid entry, tapped 1/4" NPTF
- (2) 1 electrical connections entry, tapped 1/2" NPT
- Ø : 2 elongated holes Ø 10.2 x 5.2

Wiring Diagram

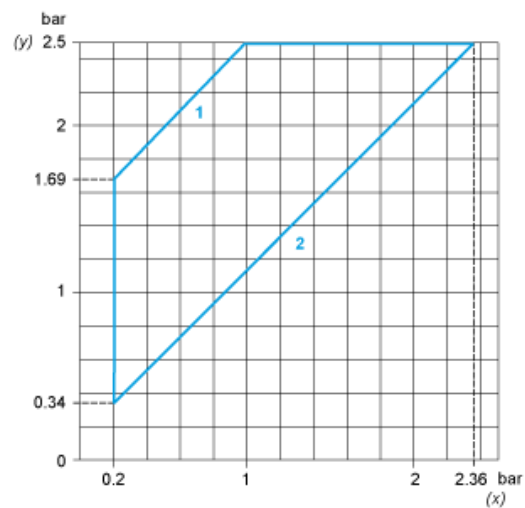
Terminal Model



- (a) Contact 1
- (b) Contact 2

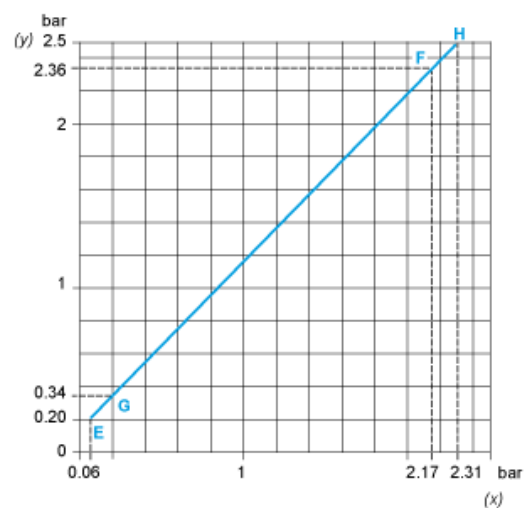
Operating Curves

High Setting Tripping Points of Contacts 1 and 2



- (y) PH2 setting (rising pressure)
- (x) PH1 setting (rising pressure)
- 1 : Maximum differential
- 2 : Minimum differential

Natural Differential of Contacts 1 and 2



- (y) Rising pressure
- (x) Falling pressure
- EF : Contact 1
- GH : Contact 2



(y) Pressure
 (x) Time
 (1) Adjustable value
 (2) Non adjustable value
 PH : High point
 PB : Below point