

XMLG100Q21TQ

pressure sensor XMLG - 0..100 bars - G 1/4A
(male) - 24 V - 4..20 mA - set of 25



Main

| | |
|---------------------------|--|
| Range of product | OsiSense XM |
| Product or component type | Electronic pressure sensors |
| Pressure sensor type | Pressure transmitter |
| Pressure sensor name | XMLG |
| Pressure sensor size | 100 bar |
| Fluid connection type | G 1/4A (male) conforming to DIN 3852-E |
| Controlled fluid | Fresh water (0...125 °C) Hydraulic oil (-15...125 °C) Corrosive fluid (-15...125 °C) Air (-15...125 °C) |
| Type of output signal | Analogue |
| Analogue output function | 4...20 mA, 2 wires |
| Electrical connection | Quickon type quick coupling |
| [Us] rated supply voltage | 24 V DC, voltage limits: 8...33 V 12 V DC, voltage limits: 8...33 V |
| Quantity per set | Set of 25 |
| Type of packing | Group |
| Diameter | 22.8 mm |

Complementary

| | |
|---|--|
| Pressure setting range | 0...100 bar |
| Maximum permissible accidental pressure | 225 bar |
| Destruction pressure | 250 bar |
| Local display | Without |
| Electrical circuit type | Control circuit |
| Current consumption | < 20 mA |
| Materials in contact with fluid | Ceramic FPM (Viton) PPS Stainless steel type AISI 303 |
| Operating position | Any position |
| Protection type | Load short-circuit Reverse polarity |
| Surge withstand | 500 kV (12 Ohm) conforming to EN/IEC 61000-4-5 1 kV (42 Ohm) conforming to EN/IEC 61000-4-5 |
| [Uimp] rated impulse withstand voltage | 0.5 kV |
| Response time on output | < 2 ms |
| Drift of the sensitivity | +/- 0.015 % of measuring range/°C |
| Drift of the zero point | +/- 0.015 % of measuring range/°C |
| Measurement accuracy | +/- 0.3 % of the measuring range |
| Repeat accuracy | +/- 0.1 % of the measuring range |
| Mechanical durability | >= 10000000 cycles |
| Product weight | 0.095 kg |
| Height | 66.1 mm |

The information provided in this documentation contains general descriptions and/or technical characteristics of the performance of the products contained herein. This documentation is not intended as a substitute for and is not to be used for determining suitability or reliability of these products for specific user applications. It is the duty of any such user or integrator to perform the appropriate and complete risk analysis, evaluation and testing of the products with respect to the relevant specific application or use thereof. Neither Schneider Electric Industries SAS nor any of its affiliates or subsidiaries shall be responsible or liable for misuse of the information contained herein.

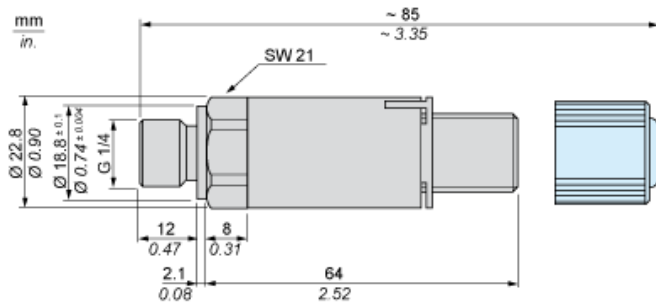
Environment

| | |
|---|---|
| Standards | CE EN/IEC 61326-2-3 |
| Product certifications | UL 508 CSA C22.2 No 14 EAC |
| Protective treatment | TC |
| Ambient air temperature for operation | -15...85 °C |
| Ambient air temperature for storage | -40...85 °C |
| Vibration resistance | 20 gn (f = 9...2000 Hz) conforming to EN/IEC 60028-2-6 |
| Shock resistance | 25 gn for 11 ms conforming to EN/IEC 60068-2-27 |
| Resistance to electrostatic discharge | 8 kV (on contact) conforming to EN/IEC 61000-4-2 15 kV (in air) conforming to EN/IEC 61000-4-2 |
| Resistance to electromagnetic fields | 200 V/m (80...1000 Hz) conforming to EN/IEC 61000-4-3 |
| Resistance to fast transients | 4 kV conforming to EN/IEC 61000-4-4 |
| Resistance to conducted disturbances, induced by radio frequency fields | 30 V (0.15...80 Hz) conforming to EN/IEC 61000-4-6 |
| Resistance to magnetic fields | 30 A/m (50 Hz) conforming to EN/IEC 61000-4-8 |
| IP degree of protection | IP67 conforming to EN/IEC 60529 IP66 conforming to EN/IEC 60529 |
| NEMA degree of protection | NEMA 4 |

Offer Sustainability

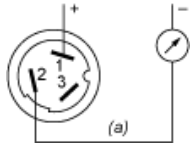
| | |
|--------------------------|---|
| Sustainable offer status | Not Green Premium product |
| RoHS (date code: YYWW) | Compliant - since 0627 - Schneider Electric declaration of conformity |

Dimensions



Wiring Diagram

2-Wire Technique (4-20 mA)



(a) Output

Output Curves

