



### Main

Range of product	OsiSense XM
Product or component type	Electronic pressure sensors
Pressure sensor type	Pressure transmitter
Pressure sensor name	XMLG
Pressure sensor size	160 bar
Fluid connection type	SAE 7/16-20UNF-2A (male)
Controlled fluid	Air (-15...125 °C) Corrosive fluid (-15...125 °C) Hydraulic oil (-15...125 °C) Fresh water (0...125 °C)
Type of output signal	Analogue
Analogue output function	0...10 V, 3 wires
Electrical connection	1 male connector M12, 3 pins
[Us] rated supply voltage	24 V DC (voltage limits: 11.4...33 V)
Quantity per set	Set of 25
Type of packing	Group
Diameter	22.8 mm

### Complementary

Pressure setting range	0...160 bar
Maximum permissible accidental pressure	225 bar
Destruction pressure	250 bar
Local display	Without
Electrical circuit type	Control circuit
Current consumption	< 20 mA
Materials in contact with fluid	FPM (Viton) PPS Stainless steel type AISI 303 Ceramic
Operating position	Any position
Protection type	Reverse polarity Load short-circuit
Surge withstand	1 kV 42 Ohm conforming to EN/IEC 61000-4-5

500 kV 12 Ohm conforming to EN/IEC 61000-4-5

[Uimp] rated impulse withstand voltage	0.5 kV
Response time on output	< 2 ms
Drift of the sensitivity	+/- 0.015 % of measuring range/°C
Drift of the zero point	+/- 0.015 % of measuring range/°C
Measurement accuracy	+/- 0.3 % of the measuring range
Repeat accuracy	+/- 0.1 % of the measuring range
Mechanical durability	10000000 cycles
Product weight	0.095 kg
Height	58.1 mm
Length	48.5 mm

## Environment

Standards	CE EN/IEC 61326-2-3
Product certifications	UL 508 EAC CSA C22.2 No 14
Protective treatment	TC
Ambient air temperature for operation	-15...85 °C
Ambient air temperature for storage	-40...85 °C
Vibration resistance	20 gn (f= 9...2000 Hz) conforming to EN/IEC 60028-2-6
Shock resistance	25 gn for 11 ms conforming to EN/IEC 60068-2-27
Resistance to electrostatic discharge	15 kV in air conforming to EN/IEC 61000-4-2 8 kV on contact conforming to EN/IEC 61000-4-2
Resistance to electromagnetic fields	200 V/m 80...1000 Hz conforming to EN/IEC 61000-4-3
Resistance to fast transients	4 kV conforming to EN/IEC 61000-4-4
Resistance to conducted disturbances	30 V (0.15...80 Hz) conforming to EN/IEC 61000-4-6
Resistance to magnetic fields	30 A/m 50 Hz conforming to EN/IEC 61000-4-8
IP degree of protection	IP66 conforming to EN/IEC 60529 IP67 conforming to EN/IEC 60529
NEMA degree of protection	NEMA 4

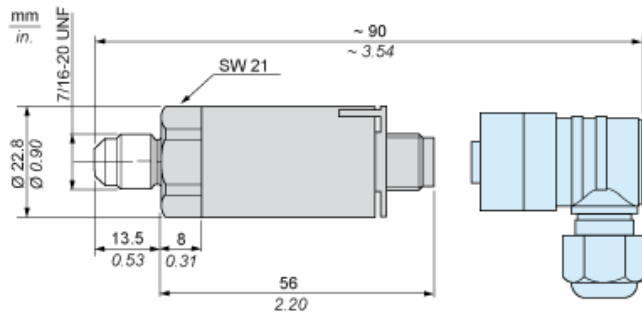
## Offer Sustainability

REACH free of SVHC	Yes
EU RoHS Directive	Pro-active compliance (Product out of EU RoHS legal scope) <a href="#">EU RoHS Declaration</a>
Mercury free	Yes
RoHS exemption information	<a href="#">Yes</a>

## Contractual warranty

Warranty	18 months
----------	-----------

Dimensions

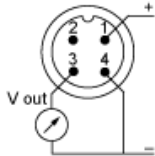


---

Wiring Diagram

---

3-Wire Technique (0-10 V)



---

Output Curves

---

