

# XMLK300P2C23

pressure sensor XMLK - 0..300psi - 1/4NPT - 4..20mA - DIN - set of 1



## Main

|                           |  |
|---------------------------|--|
| Range of product          | OsiSense XM  |
| Product or component type | Electronic pressure sensors                              |
| Pressure sensor type      | Pressure transmitter                                     |
| Pressure sensor name      | XMLK   |
| Electrical circuit type   | Control circuit  |
| Pressure sensor size      | 300 psi  |
| Local display             | Without  |
| Controlled fluid          | Fresh water 0...80 °C<br>Air 0...80 °C                   |
| Fluid connection type     | 1/4" - 18 NPT (male)                                     |
| Electrical connection     | 1 male connector EN 175301-803-A (ex DIN43650)<br>4 pins |
| [Us] rated supply voltage | 24 V DC SELV, voltage limits: 8...33 V                   |
| Current consumption       | < 20 mA  |
| Type of output signal     | Analogue   |
| Analogue output function  | 4...20 mA, 2-wire  |
| Quantity per set          | Set of 1   |
| Type of packing           | Individual   |

## Complementary

|   |   |
|---|---|
| Pressure setting range                  | 0...300 psi   |
| Maximum permissible accidental pressure | 600 psi   |
| Destruction pressure                    | 900 psi   |
| Materials in contact with fluid         | Ceramic<br>Nitrile (NBR)<br>Stainless steel type AISI 303   |
| Operating position                      | Any position  |
| Protection type                         | Load short-circuit<br>Reverse polarity  |
| Electromagnetic compatibility           | Immunity to magnetic fields conforming to EN/IEC 61000-4-8 - test level 30 A/m (f = 50 Hz)<br>Radiated RF fields conforming to EN/IEC 61000-4-6 - test level 10 V (f = 0.15...80 MHz)<br>1.2/50 µs shock waves immunity test conforming to EN/IEC 61000-4-5 - test level 500 V 12 Ohm, 1 kV 42 Ohm<br>Electrical fast transient/burst immunity test conforming to EN/IEC 61000-4-4 - test level 2 kV<br>Susceptibility to electromagnetic fields conforming to EN/IEC 61000-4-3 - test level 10 V/m (f = 80...1000 MHz)<br>Electrostatic discharge immunity test conforming to EN/IEC 61000-4-2 - test level 8 kV air, 6 kV contact |
| [Uimp] rated impulse withstand voltage  | 0.5 kV  |
| Response time on output                 | < 5 ms  |
| Drift of the sensitivity                | +/- 0.04 % of measuring range/°K  |
| Drift of the zero point                 | +/- 0.03 % of measuring range/°K  |
| Measurement accuracy                    | +/- 1 % of the measuring range  |
| Repeat accuracy                         | +/- 0.3 % of the measuring range  |
| Mechanical durability                   | >= 10000000 cycles  |
| Product weight                          | 0.11 kg   |

The information provided in this documentation contains general descriptions and/or technical characteristics of the performance of the products contained herein. This documentation is not intended as a substitute for and is not to be used for determining suitability or reliability of these products for specific user applications. It is the duty of any such user or integrator to perform the appropriate and complete risk analysis, evaluation and testing of the products with respect to the relevant specific application or use thereof. Neither Schneider Electric Industries SAS nor any of its affiliates or subsidiaries shall be responsible or liable for misuse of the information contained herein.

|          |         |
|----------|---------|
| Diameter | 36 mm   |
| Length   | 65.5 mm |

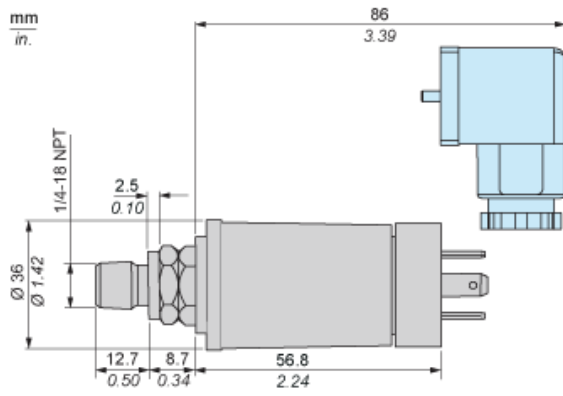
## Environment

|                                       |  |
|---------------------------------------|--|
| Standards                             | CE<br>EN/IEC 61326-2-3                                 |
| Product certifications                | UL 508<br>RCM<br>CSA C22.2 No 14<br>EAC                |
| Protective treatment                  | TC   |
| Ambient air temperature for operation | 0...80 °C  |
| Ambient air temperature for storage   | -25...80 °C  |
| Vibration resistance                  | 20 gn (f = 9...2000 Hz) conforming to EN/IEC 60068-2-6 |
| Shock resistance                      | 25 gn for 11 ms conforming to EN/IEC 60068-2-27        |
| IP degree of protection               | IP65 conforming to EN/IEC 60529                        |
| NEMA degree of protection             | NEMA 4   |

## Offer Sustainability

|                          |   |
|--------------------------|---|
| Sustainable offer status | Not Green Premium product   |
| RoHS (date code: YYWW)   | Compliant - since 1001 - <a href="#">Schneider Electric declaration of conformity</a> |
| REACH                    | Reference not containing SVHC above the threshold                                     |

Dimensions

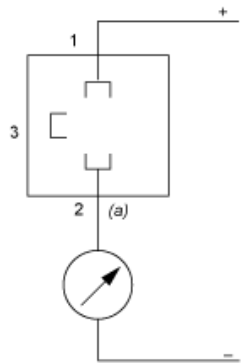


---

## Wiring Diagram

---

### 2-Wire Technique (4-20 mA)



(a) I out

---

Output Curves

---

