



Price\* : 92.14 GBP



### Main

|                           |  |
|---------------------------|--|
| Range of product          | OsiSense XM  |
| Product or component type | Electronic pressure sensors  |
| Pressure sensor type      | Pressure transmitter   |
| Pressure sensor name      | XMLP   |
| Electrical circuit type   | Control circuit  |
| Pressure sensor size      | 1 bar  |
| Local display             | Without  |
| Controlled fluid          | Fresh water (0...125 °C)<br>Air (-15...125 °C)<br>Gas (-15...125 °C)<br>Hydraulic oil (-15...125 °C) |
| Fluid connection type     | SAE 7/16-20UNF (female)  |
| Electrical connection     | 1 male connector M12 4 pins  |
| [Us] rated supply voltage | 24 V DC SELV (voltage limits: 12...33 V)   |
| Current consumption       | < 7 mA   |
| Type of output signal     | Analogue   |
| Analogue output function  | 0...10 V, 3-wire   |
| Quantity per set          | Set of 1   |
| Type of packing           | Individual   |

### Complementary

|   |  |
|---|--|
| Pressure setting range                  | 0...1 bar  |
| Maximum permissible accidental pressure | 3 bar  |
| Destruction pressure                    | 5 bar  |
| Materials in contact with fluid         | Fluorocarbon FPM<br>Stainless steel AISI 316L<br>Ceramic |

Disclaimer: This documentation is not intended as a substitute for and is not to be used for determining suitability or reliability of these products for specific user applications

|  |  |
|--|--|
| Operating position                     | Any position   |
| Protection type                        | Load short-circuit<br>Reverse polarity   |
| Electromagnetic compatibility          | Susceptibility to electromagnetic fields conforming to EN/IEC 61000-4-3 10 V/m 80...1000 MHz<br>Electrical fast transient/burst immunity test conforming to EN/IEC 61000-4-4 2 kV<br>Radiated RF fields conforming to EN/IEC 61000-4-6 10 V 0.15...80 MHz<br>Electrostatic discharge immunity test conforming to EN/IEC 61000-4-2 8 kV air, 4 kV contact<br>1.2/50 µs shock waves immunity test conforming to EN/IEC 61000-4-5 1 kV 42 Ohm<br>Immunity to magnetic fields conforming to EN/IEC 61000-4-8 100 A/m 50 Hz |
| [Uimp] rated impulse withstand voltage | 0.5 kV   |
| Response time on output                | <= 2 ms 10...90 % of full scale  |
| Measurement accuracy                   | +/- 0.5 % of the measuring range   |
| Resolution                             | 0.1 % of the measuring range   |
| Drift of the sensitivity               | +/- 0.02 % of measuring range/°K   |
| Drift of the zero point                | +/- 0.02 % of measuring range/°K   |
| Long term stability                    | +/- 0.25 % of the measuring range  |
| Mechanical durability                  | 10000000 cycles  |
| Product weight                         | 0.075 kg   |
| Diameter                               | 26 mm  |
| Length                                 | 36 mm  |

## Environment

|                                       |   |
|---------------------------------------|---|
| Standards                             | NSF ANSI 61<br>EN/IEC 61326-2-3   |
| Product certifications                | EAC<br>CULus<br>CE<br>RCM   |
| Ambient air temperature for operation | -30...85 °C   |
| Ambient air temperature for storage   | -50...100 °C  |
| Vibration resistance                  | 20 gn (f = 10...2000 Hz) conforming to EN/IEC 60068-2-6   |
| Shock resistance                      | 100 gn for 11 ms conforming to EN/IEC 60068-2-27  |
| IP degree of protection               | IP65 conforming to EN/IEC 60529<br>IP67 conforming to EN/IEC 60529<br>IP69K conforming to DIN 40050 |

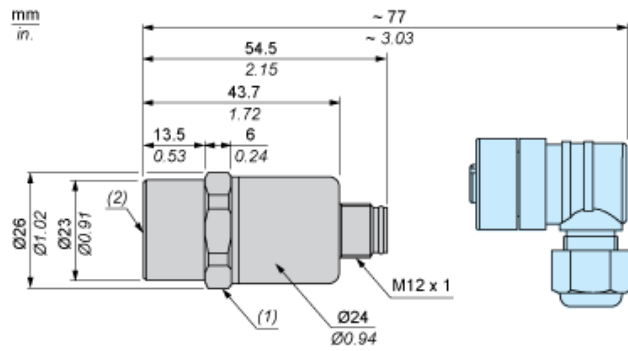
## Offer Sustainability

|                            |   |
|----------------------------|---|
| Sustainable offer status   | Green Premium product   |
| REACH free of SVHC         | Yes   |
| EU RoHS Directive          | Pro-active compliance (Product out of EU RoHS legal scope)<br><a href="#">EU RoHS Declaration</a> |
| Mercury free               | Yes   |
| RoHS exemption information | <a href="#">Yes</a>   |
| Environmental Disclosure   | <a href="#">Product Environmental Profile</a>   |
| Circularity Profile        | No need of specific recycling operations  |

## Contractual warranty

|          |           |
|----------|-----------|
| Warranty | 18 months |
|----------|-----------|

Dimensions



- (1) SW24 tightening torque  $\leq 10$  N.m / 221 lb-in
- (2) 7/16-20 UNF inside

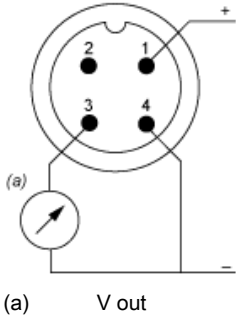
---

Connection and Schema

---

Wiring Diagram

3-Wire Technique (0-10 V)



---

Performance Curves

---

Curves

