



Main

| | |
|---------------------------|--|
| Range of product | OsiSense XM |
| Product or component type | Electronic pressure sensors |
| Pressure sensor type | Pressure transmitter |
| Pressure sensor name | XMLP |
| Electrical circuit type | Control circuit |
| Pressure sensor size | 30 psi |
| Local display | Without |
| Controlled fluid | Fresh water (0...125 °C) Air (-15...125 °C) Gas (-15...125 °C) Hydraulic oil (-15...125 °C) |
| Fluid connection type | 1/4" - 18 NPT (male) |
| Electrical connection | 1 male connector Packard Metripack 150 3 pins |
| [Us] rated supply voltage | 12...24 V DC SELV (voltage limits: 7...33 V) |
| Current consumption | < 23 mA |
| Type of output signal | Analogue |
| Analogue output function | 4...20 mA, 2-wire |
| Quantity per set | Set of 1 |
| Type of packing | Individual |

Complementary

| | |
|---|--|
| Pressure setting range | 0...30 psi |
| Maximum permissible accidental pressure | 109 psi |
| Destruction pressure | 145 psi |
| Materials in contact with fluid | Fluorocarbon FPM Ceramic Stainless steel AISI 316L |
| Operating position | Any position |

Disclaimer: This documentation is not intended as a substitute for and is not to be used for determining suitability or reliability of these products for specific user applications

| | |
|--|--|
| Protection type | Reverse polarity Load short-circuit |
| Electromagnetic compatibility | Susceptibility to electromagnetic fields conforming to EN/IEC 61000-4-3 10 V/m 80...1000 MHz Radiated RF fields conforming to EN/IEC 61000-4-6 10 V 0.15...80 MHz Electrostatic discharge immunity test conforming to EN/IEC 61000-4-2 8 kV air, 4 kV contact 1.2/50 µs shock waves immunity test conforming to EN/IEC 61000-4-5 1 kV 42 Ohm Immunity to magnetic fields conforming to EN/IEC 61000-4-8 100 A/m 50 Hz Electrical fast transient/burst immunity test conforming to EN/IEC 61000-4-4 4 kV |
| [Uimp] rated impulse withstand voltage | 0.5 kV |
| Response time on output | <= 2 ms 10...90 % of full scale |
| Measurement accuracy | +/- 0.5 % of the measuring range |
| Resolution | 0.1 % of the measuring range |
| Drift of the sensitivity | +/- 0.02 % of measuring range/°K |
| Drift of the zero point | +/- 0.02 % of measuring range/°K |
| Long term stability | +/- 0.25 % of the measuring range |
| Mechanical durability | 10000000 cycles |
| Product weight | 0.076 kg |
| Diameter | 26 mm |
| Length | 49.2 mm |

Environment

| | |
|---------------------------------------|--|
| Standards | EN/IEC 61326-2-3 NSF ANSI 61 |
| Product certifications | CULus CE EAC RCM |
| Ambient air temperature for operation | -30...85 °C |
| Ambient air temperature for storage | -50...100 °C |
| Vibration resistance | 20 gn (f = 10...2000 Hz) conforming to EN/IEC 60068-2-6 |
| Shock resistance | 100 gn for 11 ms conforming to EN/IEC 60068-2-27 |
| IP degree of protection | IP65 conforming to EN/IEC 60529 IP67 conforming to EN/IEC 60529 |

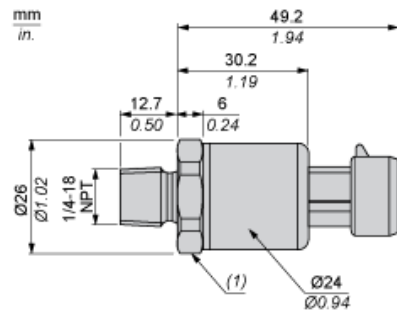
Offer Sustainability

| | |
|----------------------------|---|
| Sustainable offer status | Green Premium product |
| REACH free of SVHC | Yes |
| EU RoHS Directive | Pro-active compliance (Product out of EU RoHS legal scope) EU RoHS Declaration |
| Mercury free | Yes |
| RoHS exemption information | Yes |
| Environmental Disclosure | Product Environmental Profile |
| Circularity Profile | No need of specific recycling operations |

Contractual warranty

| | |
|----------|-----------|
| Warranty | 18 months |
|----------|-----------|

Dimensions

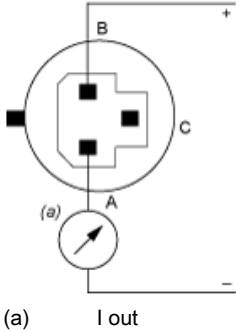


(1) SW24 tightening torque ≤ 25 N.m / 221 lb-in

Connection and Schema

Wiring Diagram

2-Wire Technique (4-20 mA)



Performance Curves

Curves

