



## Main

|                           |                                                                                                      |
|---------------------------|------------------------------------------------------------------------------------------------------|
| Range of product          | OsiSense XM                                                                                          |
| Product or component type | Electronic pressure sensors                                                                          |
| Pressure sensor type      | Pressure transmitter                                                                                 |
| Pressure sensor name      | XMLP                                                                                                 |
| Electrical circuit type   | Control circuit                                                                                      |
| Pressure sensor size      | -14.5...15 psi                                                                                       |
| Local display             | Without                                                                                              |
| Controlled fluid          | Fresh water (0...125 °C)<br>Air (-15...125 °C)<br>Gas (-15...125 °C)<br>Hydraulic oil (-15...125 °C) |
| Fluid connection type     | 1/4" - 18 NPT (male)                                                                                 |
| Electrical connection     | 1 male connector M12 4 pins                                                                          |
| [Us] rated supply voltage | 24 V DC SELV (voltage limits: 12...33 V)                                                             |
| Current consumption       | < 7 mA                                                                                               |
| Type of output signal     | Analogue                                                                                             |
| Analogue output function  | 0...10 V, 3-wire                                                                                     |
| Quantity per set          | Set of 1                                                                                             |
| Type of packing           | Individual                                                                                           |

## Complementary

|                                         |                                                          |
|-----------------------------------------|----------------------------------------------------------|
| Pressure setting range                  | -14.5...15 psi                                           |
| Maximum permissible accidental pressure | 44 psi                                                   |
| Destruction pressure                    | 73 psi                                                   |
| Materials in contact with fluid         | Stainless steel AISI 316L<br>Ceramic<br>Fluorocarbon FPM |
| Operating position                      | Any position                                             |

|                                        |                                                                                                                                                                                                                                                                                                                                                                                                                                                                                                                        |
|----------------------------------------|------------------------------------------------------------------------------------------------------------------------------------------------------------------------------------------------------------------------------------------------------------------------------------------------------------------------------------------------------------------------------------------------------------------------------------------------------------------------------------------------------------------------|
| Protection type                        | Reverse polarity<br>Load short-circuit                                                                                                                                                                                                                                                                                                                                                                                                                                                                                 |
| Electromagnetic compatibility          | Susceptibility to electromagnetic fields conforming to EN/IEC 61000-4-3 10 V/m 80...1000 MHz<br>Electrical fast transient/burst immunity test conforming to EN/IEC 61000-4-4 2 kV<br>Radiated RF fields conforming to EN/IEC 61000-4-6 10 V 0.15...80 MHz<br>Electrostatic discharge immunity test conforming to EN/IEC 61000-4-2 8 kV air, 4 kV contact<br>1.2/50 µs shock waves immunity test conforming to EN/IEC 61000-4-5 1 kV 42 Ohm<br>Immunity to magnetic fields conforming to EN/IEC 61000-4-8 100 A/m 50 Hz |
| [Uimp] rated impulse withstand voltage | 0.5 kV                                                                                                                                                                                                                                                                                                                                                                                                                                                                                                                 |
| Response time on output                | <= 2 ms 10...90 % of full scale                                                                                                                                                                                                                                                                                                                                                                                                                                                                                        |
| Measurement accuracy                   | +/- 0.5 % of the measuring range                                                                                                                                                                                                                                                                                                                                                                                                                                                                                       |
| Resolution                             | 0.1 % of the measuring range                                                                                                                                                                                                                                                                                                                                                                                                                                                                                           |
| Drift of the sensitivity               | +/- 0.02 % of measuring range/°K                                                                                                                                                                                                                                                                                                                                                                                                                                                                                       |
| Drift of the zero point                | +/- 0.02 % of measuring range/°K                                                                                                                                                                                                                                                                                                                                                                                                                                                                                       |
| Long term stability                    | +/- 0.25 % of the measuring range                                                                                                                                                                                                                                                                                                                                                                                                                                                                                      |
| Mechanical durability                  | 10000000 cycles                                                                                                                                                                                                                                                                                                                                                                                                                                                                                                        |
| Product weight                         | 0.075 kg                                                                                                                                                                                                                                                                                                                                                                                                                                                                                                               |
| Diameter                               | 26 mm                                                                                                                                                                                                                                                                                                                                                                                                                                                                                                                  |
| Length                                 | 30.2 mm                                                                                                                                                                                                                                                                                                                                                                                                                                                                                                                |

## Environment

|                                       |                                                                                                     |
|---------------------------------------|-----------------------------------------------------------------------------------------------------|
| Standards                             | NSF ANSI 61<br>EN/IEC 61326-2-3                                                                     |
| Product certifications                | RCM<br>EAC<br>CE<br>CULus                                                                           |
| Ambient air temperature for operation | -30...85 °C                                                                                         |
| Ambient air temperature for storage   | -50...100 °C                                                                                        |
| Vibration resistance                  | 20 gn (f = 10...2000 Hz) conforming to EN/IEC 60068-2-6                                             |
| Shock resistance                      | 100 gn for 11 ms conforming to EN/IEC 60068-2-27                                                    |
| IP degree of protection               | IP65 conforming to EN/IEC 60529<br>IP67 conforming to EN/IEC 60529<br>IP69K conforming to DIN 40050 |

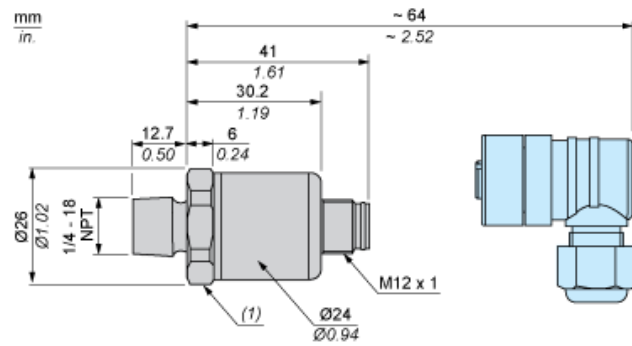
## Offer Sustainability

|                            |                                                                                                   |
|----------------------------|---------------------------------------------------------------------------------------------------|
| Sustainable offer status   | Green Premium product                                                                             |
| REACH free of SVHC         | Yes                                                                                               |
| EU RoHS Directive          | Pro-active compliance (Product out of EU RoHS legal scope)<br><a href="#">EU RoHS Declaration</a> |
| Mercury free               | Yes                                                                                               |
| RoHS exemption information | <a href="#">Yes</a>                                                                               |
| Environmental Disclosure   | <a href="#">Product Environmental Profile</a>                                                     |
| Circularity Profile        | No need of specific recycling operations                                                          |

## Contractual warranty

|          |           |
|----------|-----------|
| Warranty | 18 months |
|----------|-----------|

Dimensions



(1) SW24 tightening torque  $\leq 25$  N.m / 221 lb-in

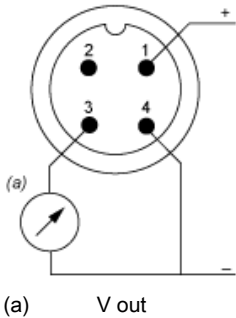
---

Connection and Schema

---

Wiring Diagram

3-Wire Technique (0-10 V)



---

Performance Curves

---

Curves

