

Main

| | |
|-----------------------------------|---------------------------------------------------------------------------|
| Range of product | OsiSense XM |
| Pressure sensor type | Electromechanical pressure sensor |
| Pressure sensor name | XMP |
| Pressure sensor size | 12 bar |
| Fluid connection type | G 1/4 (female) conforming to ISO 228 |
| Controlled fluid | Sea water (0...70 °C) Fresh water (0...70 °C) Air (0...70 °C) |
| Cable entry | 2 entries tapped for Pg 13.5 cable gland conforming to NF C 68-300 |
| Contacts type and composition | 3 NC snap action |
| Product specific application | - |
| Pressure switch type of operation | Regulation between 2 thresholds |
| Electrical connection | Screw-clamp terminals, clamping capacity: minimum : 2 x 4 mm ² |
| Electrical circuit type | Power circuit |
| Scale type | Adjustable differential |
| Local display | Without |
| Sale per indivisible quantity | 1 |

Complementary

| | |
|---------------------------------------------------------|--------------------------------------------------------------------------------------------------|
| Adjustable range of switching point on falling pressure | 0.3...10.3 bar |
| Adjustment range high setting | 1.3...12 bar |
| Possible differential minimum at low setting | 1 bar |
| Possible differential minimum at high setting | 1.7 bar |
| Possible differential maximum at high setting | 8.4 bar |
| Destruction pressure | 30 bar |
| Type of decompression valve | Without |
| Control type | ON/OFF knob |
| Terminal block type | 6 terminals |
| Pressure actuator | Diaphragm |
| Materials in contact with fluid | Canvas covered nitrile Chromated zinc alloy |
| Enclosure material | PA impregnated with fibreglass |
| Operating position | Any position |
| Operating rate | 10 cyc/mn |
| Repeat accuracy | < 3.5 % |
| [Ui] rated insulation voltage | 500 V conforming to EN/IEC 60947-1 |
| [Uimp] rated impulse withstand voltage | 6 kV conforming to EN/IEC 60947-1 |
| Resistance across terminals | <= 25 MOhm conforming to NF C 93-050 method A <= 25 MOhm conforming to IEC 60255-7 category 3 |

The information provided in this documentation contains general descriptions and/or technical characteristics of the performance of the products contained herein. This documentation is not intended as a substitute for and is not to be used for determining suitability or reliability of these products for specific user applications. It is the duty of any such user or integrator to perform the appropriate and complete risk analysis, evaluation and testing of the products with respect to the relevant specific application or use thereof. Neither Schneider Electric Industries SAS nor any of its affiliates or subsidiaries shall be responsible or liable for misuse of the information contained herein.

| | |
|-------------------------------|---------------------------------------------------------------------------------------------------------------------------------------------------------------------------------------------------------------------------------------------------------------------------------------------------------------------------------------------------------------------|
| Electrical durability | 700000 cycles (2.2 kW, operating rate: 10 cyc/mn, load factor: 0.4, 400 V AC 3 phases) 600000 cycles (1.5 kW, operating rate: 10 cyc/mn, load factor: 0.4, 230 V AC 3 phases) 500000 cycles (3 kW, operating rate: 10 cyc/mn, load factor: 0.4, 400 V AC 3 phases) 1000000 cycles (1.5 kW, operating rate: 10 cyc/mn, load factor: 0.4, 400 V AC 3 phases) |
| Mechanical durability | 1000000 cycles |
| Setting | Nut |
| Terminals description ISO n°1 | (1-2)NC (3-4)NC (5-6)NC |
| Depth | 98 mm |
| Height | 125 mm |
| Width | 57 mm |

Environment

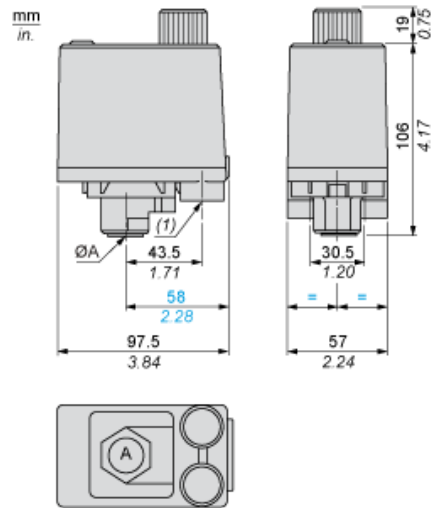
| | |
|--------------------------------------------|----------------------------------------------------|
| Product certifications | EAC |
| Standards | CE EN/IEC 60947-4-1 |
| Ambient air temperature for operation | -25...70 °C |
| Ambient air temperature for storage | -40...70 °C |
| Vibration resistance | 3 gn (f = 10...500 Hz) conforming to IEC 60068-2-6 |
| Shock resistance | 50 gn conforming to IEC 60068-2-27 |
| Class of protection against electric shock | Class I conforming to IEC 60536 |
| IP degree of protection | IP65 conforming to EN/IEC 60529 |

Offer Sustainability

| | |
|----------------------------------|---------------------------------------------------------------------------------------|
| Sustainable offer status | Green Premium product |
| RoHS (date code: YYWW) | Compliant - since 0627 - Schneider Electric declaration of conformity |
| REACH | Reference not containing SVHC above the threshold |
| Product environmental profile | Available Download Product Environmental |
| Product end of life instructions | Need no specific recycling operations |

Dimensions

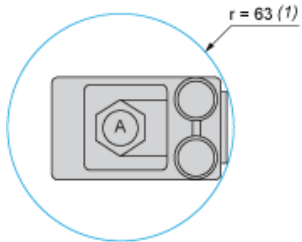
Without Decompression Valve



ØA = G 1/4

(1) 2 tapped entries for Pg 13.5

Minimum Mounting Clearance

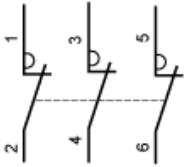


ØA = G1/4

(1) Minimum clearance zone for screwing-on pressure switch at point A

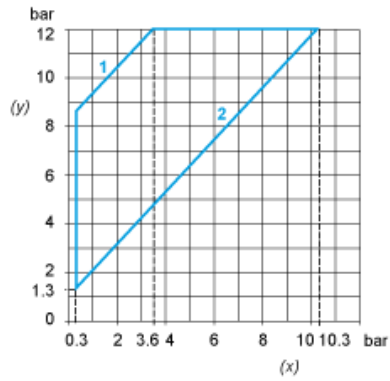
Wiring Diagram

Terminal Connections

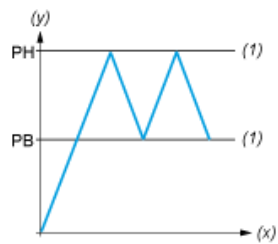


Curves

Operating Curves



- (y) Rising pressure
- (x) Falling pressure
- 1 : Maximum differential
- 2 : Minimum differential



- (y) Pressure
- (x) Time
- (1) Adjustable value
- PH : High point
- PB : Below point