



Price* : 110.64 GBP



Main

| | |
|------------------------------------|--|
| Range of product | OsiSense XS |
| Series name | General purpose |
| Sensor type | Inductive proximity sensor |
| Wiring configuration | 2-wire |
| Output circuit type | AC/DC |
| Protection type | Short-circuit protection |
| Device application | 2-wire DC short-circuit protection |
| Sensor name | XS1 |
| Sensor design | Cylindrical M30 |
| Size | 75 mm |
| Body type | Fixed |
| Detector flush mounting acceptance | Flush mountable |
| Material | Metal |
| Type of output signal | Discrete |
| Wiring technique | 2-wire |
| [Sn] nominal sensing distance | 10 mm |
| Discrete output function | 1 NO |
| Electrical connection | Male connector 7/8"16 UNF, 3 pins |
| [Us] rated supply voltage | 24...210 V DC 24...240 V AC 50/60 Hz |
| Switching capacity in mA | 5...300 mA AC with overload and short-circuit protection 5...200 mA DC with overload and short-circuit protection |
| IP degree of protection | IP67 conforming to IEC 60529 |

Complementary

| | |
|----------------|-----------|
| Thread type | M30 x 1.5 |
| Detection face | Frontal |

| | |
|--------------------------|--|
| Front material | PPS |
| Enclosure material | Nickel plated brass |
| Operating zone | 0...8 mm |
| Differential travel | 1...15% of Sr |
| Status LED | Output state: 1 LED (yellow) Supply on: 1 LED (green) |
| Supply voltage limits | 20...264 V AC/DC |
| Maximum residual current | 1.5 mA open state |
| Switching frequency | <= 2000 Hz DC <= 25 Hz AC |
| Maximum voltage drop | <5.5 V (closed state) |
| Maximum delay first up | 70 ms |
| Maximum delay response | 2 ms |
| Maximum delay recovery | 5 ms |
| Marking | CE |
| Threaded length | 51 mm |
| Height | 30 mm |
| Length | 75 mm |
| Product weight | 0.15 kg |

Environment

| | |
|---------------------------------------|---|
| Product certifications | UL CSA CCC |
| Ambient air temperature for operation | -25...70 °C |
| Ambient air temperature for storage | -40...85 °C |
| Vibration resistance | 25 gn amplitude = +/- 2 mm (f = 10...55 Hz) conforming to IEC 60068-2-6 |
| Shock resistance | 50 gn for 11 ms conforming to IEC 60068-2-7 |

Offer Sustainability

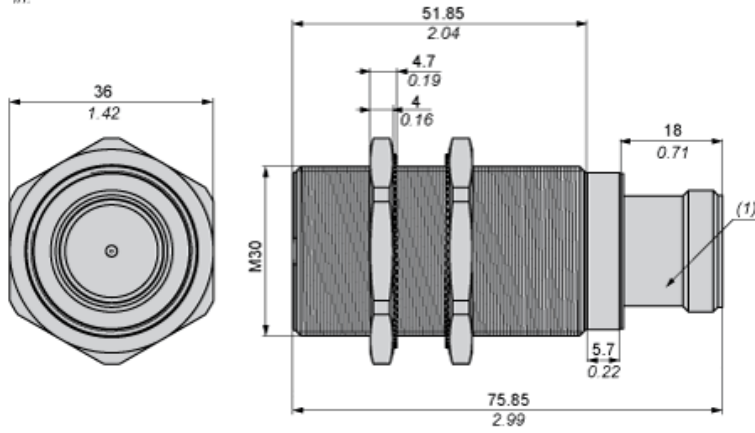
| | |
|----------------------------|---|
| Sustainable offer status | Green Premium product |
| EU RoHS Directive | Pro-active compliance (Product out of EU RoHS legal scope) EU RoHS Declaration |
| Mercury free | Yes |
| RoHS exemption information | Yes |
| Environmental Disclosure | Product Environmental Profile |
| Circularity Profile | End of Life Information |

Contractual warranty

| | |
|----------|-----------|
| Warranty | 18 months |
|----------|-----------|

Dimensions

mm
in.



(1) LED

Minimum Mounting Distances

Side by side



$e (1) \geq 20 \text{ mm}/0.79 \text{ in}$

Face to face



$e (2) \geq 120 \text{ mm}/4.72 \text{ in}$

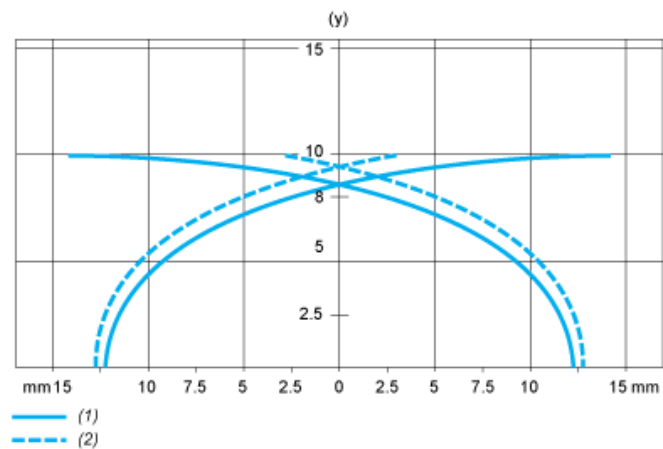
Facing a metal object



$e (3) \geq 30 \text{ mm}/1.18 \text{ in.}$

Performance Curves

Standard Steel Target : 30x30x1 mm



- (1) Pick-up points
- (2) Drop-out points (object approaching from the side)
- (y) Sensing distance in mm