



Price\* : 58.93 GBP



## Main

|                                    |  |
|------------------------------------|--|
| Range of product                   | OsiSense XS  |
| Series name                        | General purpose                                      |
| Sensor type                        | Inductive proximity sensor                           |
| Device application                 | Mobile equipment                                     |
| Sensor name                        | XS1  |
| Sensor design                      | Cylindrical M18                                      |
| Size                               | 37 mm  |
| Body type                          | Fixed  |
| Detector flush mounting acceptance | Flush mountable                                      |
| Material                           | Metal  |
| Type of output signal              | Discrete   |
| Wiring technique                   | 4-wire   |
| [Sn] nominal sensing distance      | 5 mm   |
| Discrete output function           | 1 NO + 1 NC  |
| Output circuit type                | DC   |
| Discrete output type               | PNP  |
| Electrical connection              | Cable  |
| Cable length                       | 10 m   |
| [Us] rated supply voltage          | 12...24 V DC with reverse polarity protection        |
| Switching capacity in mA           | <= 200 mA with overload and short-circuit protection |
| IP degree of protection            | IP68 conforming to IEC 60529<br>IP65                 |

## Complementary

|              |  |
|--------------|--|
| Safety level | SIL 2 conforming to EN/IEC 61508<br>PL = d conforming to EN/ISO 13849-1<br>SILCL 2 conforming to IEC 62061 |
|--------------|--|

|                          |  |
|--------------------------|--|
| Safety reliability data  | MTTFd = 1810 years<br>PFHd = 62.9E-9 1/h<br>SFF = 92 %<br>DC = 74 % with appropriate safety controller |
| Service life             | 20 year(s)   |
| Thread type              | M18 x 1  |
| Detection face           | Frontal  |
| Front material           | PPS  |
| Enclosure material       | Nickel plated brass  |
| Operating zone           | 0...4 mm   |
| Differential travel      | 1...15% of Sr  |
| Cable composition        | 4 x 0.22 mm <sup>2</sup>   |
| Wire insulation material | PvR  |
| Status LED               | Output state: 1 LED (yellow)   |
| Supply voltage limits    | 9...36 V DC  |
| Switching frequency      | <= 2000 Hz   |
| Maximum voltage drop     | <2 V (closed)  |
| Current consumption      | 0...10 mA no-load  |
| Maximum delay first up   | 5 ms   |
| Maximum delay response   | 0.15 ms  |
| Maximum delay recovery   | 0.35 ms  |
| Marking                  | CE   |
| Threaded length          | 29 mm  |
| Height                   | 18 mm  |
| Length                   | 41 mm  |
| Product weight           | 0.1 kg<br>0.42 kg  |

## Environment

|                                       |   |
|---------------------------------------|---|
| Standards                             | IEC 62061<br>EN/ISO 13849-1   |
| Product certifications                | E2<br>TÜV<br>UL<br>CSA  |
| Ambient air temperature for operation | -25...70 °C   |
| Ambient air temperature for storage   | -40...85 °C   |
| Vibration resistance                  | 25 gn amplitude = +/- 2 mm (f = 10...55 Hz) conforming to IEC 60068-2-6 |
| Shock resistance                      | 50 gn for 11 ms conforming to IEC 60068-2-27                            |

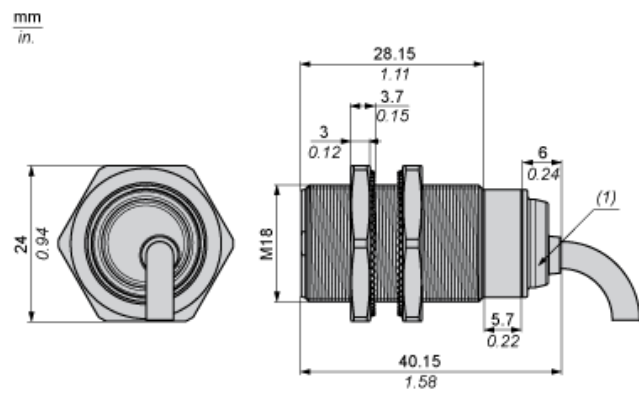
## Offer Sustainability

|                            |   |
|----------------------------|---|
| Sustainable offer status   | Green Premium product   |
| EU RoHS Directive          | Pro-active compliance (Product out of EU RoHS legal scope)<br><a href="#">EU RoHS Declaration</a> |
| Mercury free               | Yes   |
| RoHS exemption information | <a href="#">Yes</a>   |
| Environmental Disclosure   | <a href="#">Product Environmental Profile</a>   |
| Circularity Profile        | <a href="#">End of Life Information</a>   |

## Contractual warranty

|          |           |
|----------|-----------|
| Warranty | 18 months |
|----------|-----------|

Dimensions



(1) LED

---

Minimum Mounting Distances

---

Side by side



$e (1) \geq 10 \text{ mm}/0.39 \text{ in.}$

Face to face



$e (2) \geq 60 \text{ mm}/2.36 \text{ in.}$

Facing a metal object



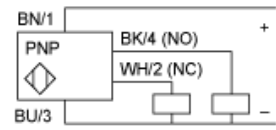
$e (3) \geq 15 \text{ mm}/0.60 \text{ in}$

---

Wiring Schemes

---

PNP 4-wire



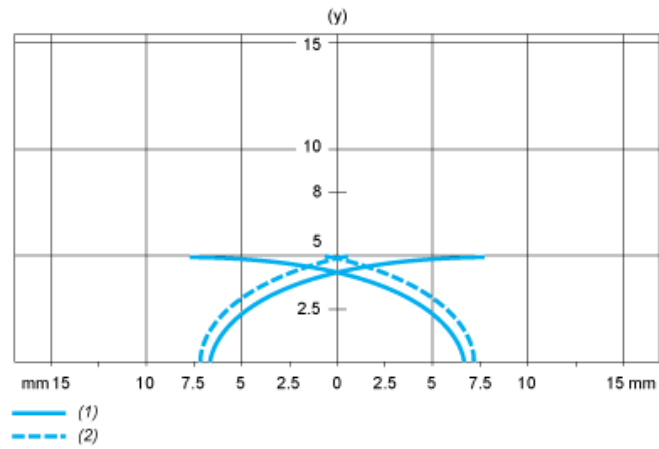
- BU : Blue
- BN : Brown
- BK : Black
- WH : White

---

Performance Curves

---

Standard Steel Target : 18x18x1 mm



- (1) Pick-up points
- (2) Drop-out points (object approaching from the side)
- (y) Sensing distance in mm