

# XS230SAMAL10

inductive sensor XS2 M30 - L63mm - stainless - Sn22mm - 24..240VAC/DC - L10m



Price\* : 96.86 GBP



## Main

|                                    |   |
|------------------------------------|---|
| Range of product                   | OsiSense XS   |
| Series name                        | Application   |
| Sensor type                        | Inductive proximity sensor  |
| Device application                 | Food and beverage   |
| Sensor name                        | XS2   |
| Sensor design                      | Cylindrical M30   |
| Size                               | 63 mm   |
| Body type                          | Fixed   |
| Detector flush mounting acceptance | Non flush mountable   |
| Material                           | Stainless steel   |
| Type of output signal              | Discrete  |
| Wiring technique                   | 2-wire  |
| [Sn] nominal sensing distance      | 22 mm   |
| Discrete output function           | 1 NO  |
| Output circuit type                | AC/DC   |
| Electrical connection              | Cable   |
| Cable length                       | 10 m  |
| [Us] rated supply voltage          | 24...240 V AC 50/60 Hz<br>24...240 V DC   |
| Switching capacity in mA           | 5...200 mA DC<br>5...300 mA AC  |
| IP degree of protection            | IP68 double insulation conforming to IEC 60529<br>IP69K conforming to DIN 40050 |

## Complementary

|                |           |
|----------------|-----------|
| Thread type    | M30 x 1.5 |
| Detection face | Frontal   |

|                          |                              |
|--------------------------|------------------------------|
| Front material           | PPS                          |
| Enclosure material       | Stainless steel 316 L        |
| Operating zone           | 0...17.6 mm                  |
| Differential travel      | 1...15% of Sr                |
| Cable composition        | 2 x 0.34 mm <sup>2</sup>     |
| Wire insulation material | PVC                          |
| Status LED               | Output state: 1 LED (yellow) |
| Supply voltage limits    | 20...264 V AC/DC             |
| Maximum residual current | 0.8 mA open state            |
| Switching frequency      | <= 25 Hz AC<br><= 300 Hz DC  |
| Maximum voltage drop     | <5.5 V (closed)              |
| Maximum delay first up   | 30 ms                        |
| Maximum delay response   | 0.5 ms                       |
| Maximum delay recovery   | 2 ms                         |
| Marking                  | CE                           |
| Threaded length          | 41 mm                        |
| Length                   | 63 mm                        |
| Product weight           | 0.525 kg                     |

## Environment

|                                       |   |
|---------------------------------------|---|
| Product certifications                | CSA<br>UL<br>CCC  |
| Ambient air temperature for operation | -25...85 °C   |
| Ambient air temperature for storage   | -40...85 °C   |
| Vibration resistance                  | 25 gn amplitude = +/- 2 mm (f = 10...55 Hz) conforming to IEC 60068-2-6 |
| Shock resistance                      | 50 gn for 11 ms conforming to IEC 60068-2-27                            |

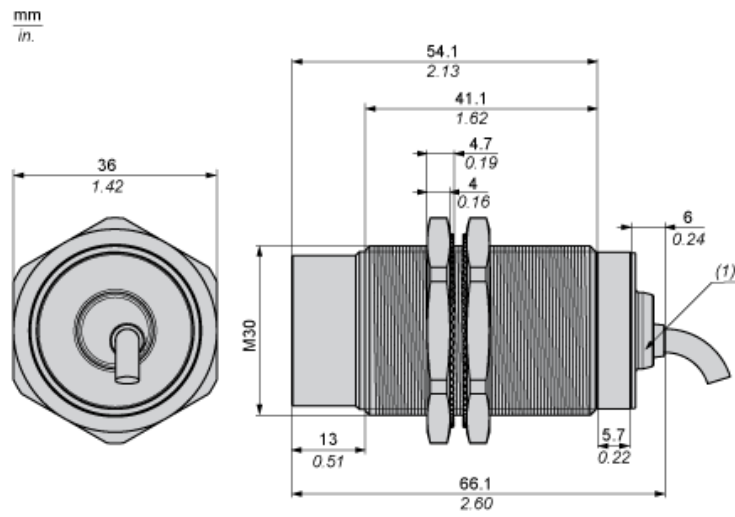
## Offer Sustainability

|                            |   |
|----------------------------|---|
| Sustainable offer status   | Green Premium product   |
| EU RoHS Directive          | Pro-active compliance (Product out of EU RoHS legal scope)<br><a href="#">EU RoHS Declaration</a> |
| Mercury free               | Yes   |
| RoHS exemption information | <a href="#">Yes</a>   |
| Environmental Disclosure   | <a href="#">Product Environmental Profile</a>   |
| Circularity Profile        | <a href="#">End of Life Information</a>   |

## Contractual warranty

|          |           |
|----------|-----------|
| Warranty | 18 months |
|----------|-----------|

Dimensions



(1) LED

---

Minimum Mounting Distances in mm

---

Side by side



$e (1) \geq 120 \text{ mm}/4.72 \text{ in.}$

Face to face



$e (2) \geq 264 \text{ mm}/10.39 \text{ in.}$

Facing a metal object



$e (3) \geq 66 \text{ mm}/2.60 \text{ in.}$

(4) Metal

(5) Object to be detected

---

Wiring Schemes

---

2-Wire AC or DC

NO output



BU : Blue  
BN : Brown