

XS230SAMAL2

inductive sensor XS2 M30 - L63mm - stainless - Sn22mm - 24..240VAC/DC - L2m



Price* : 88.53 GBP



Main

| | |
|------------------------------------|---|
| Range of product | OsiSense XS |
| Series name | Application |
| Sensor type | Inductive proximity sensor |
| Device application | Food and beverage |
| Sensor name | XS2 |
| Sensor design | Cylindrical M30 |
| Size | 63 mm |
| Body type | Fixed |
| Detector flush mounting acceptance | Non flush mountable |
| Material | Stainless steel |
| Type of output signal | Discrete |
| Wiring technique | 2-wire |
| [Sn] nominal sensing distance | 22 mm |
| Discrete output function | 1 NO |
| Output circuit type | AC/DC |
| Electrical connection | Cable |
| Cable length | 2 m |
| [Us] rated supply voltage | 24...240 V AC 50/60 Hz 24...240 V DC |
| Switching capacity in mA | 5...200 mA DC 5...300 mA AC |
| IP degree of protection | IP68 double insulation conforming to IEC 60529 IP69K conforming to DIN 40050 |

Complementary

| | |
|----------------|-----------|
| Thread type | M30 x 1.5 |
| Detection face | Frontal |

| | |
|--------------------------|------------------------------|
| Front material | PPS |
| Enclosure material | Stainless steel 316 L |
| Operating zone | 0...17.6 mm |
| Differential travel | 1...15% of Sr |
| Cable composition | 2 x 0.34 mm ² |
| Wire insulation material | PVC |
| Status LED | Output state: 1 LED (yellow) |
| Supply voltage limits | 20...264 V AC/DC |
| Maximum residual current | 0.8 mA open state |
| Switching frequency | <= 25 Hz AC <= 300 Hz DC |
| Maximum voltage drop | <5.5 V (closed) |
| Maximum delay first up | 30 ms |
| Maximum delay response | 0.5 ms |
| Maximum delay recovery | 2 ms |
| Marking | CE |
| Threaded length | 41 mm |
| Length | 63 mm |
| Product weight | 0.205 kg |

Environment

| | |
|---------------------------------------|---|
| Product certifications | UL CCC CSA |
| Ambient air temperature for operation | -25...85 °C |
| Ambient air temperature for storage | -40...85 °C |
| Vibration resistance | 25 gn amplitude = +/- 2 mm (f = 10...55 Hz) conforming to IEC 60068-2-6 |
| Shock resistance | 50 gn for 11 ms conforming to IEC 60068-2-27 |

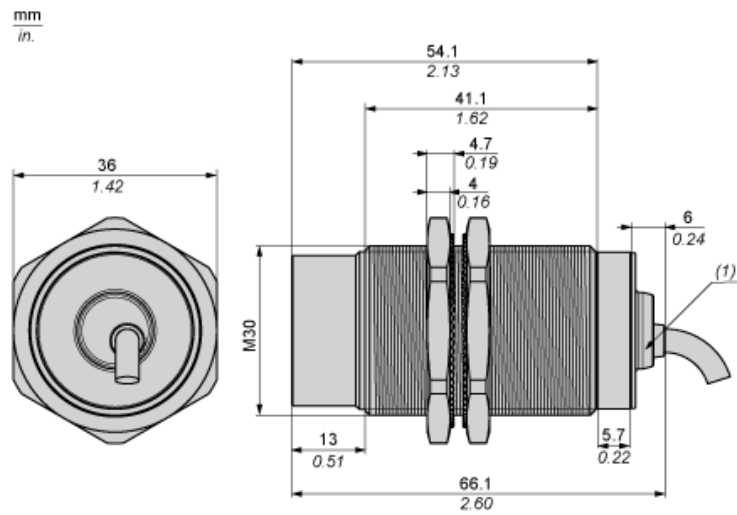
Offer Sustainability

| | |
|----------------------------|---|
| Sustainable offer status | Green Premium product |
| EU RoHS Directive | Pro-active compliance (Product out of EU RoHS legal scope) EU RoHS Declaration |
| Mercury free | Yes |
| RoHS exemption information | Yes |
| Environmental Disclosure | Product Environmental Profile |
| Circularity Profile | End of Life Information |

Contractual warranty

| | |
|----------|-----------|
| Warranty | 18 months |
|----------|-----------|

Dimensions



(1) LED

Minimum Mounting Distances in mm

Side by side



$e (1) \geq 120 \text{ mm}/4.72 \text{ in.}$

Face to face



$e (2) \geq 264 \text{ mm}/10.39 \text{ in.}$

Facing a metal object



$e (3) \geq 66 \text{ mm}/2.60 \text{ in.}$

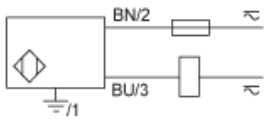
(4) Metal

(5) Object to be detected

Wiring Schemes

2-Wire AC or DC

NO output



BU : Blue
BN : Brown