

# XS230SAPAL2

inductive sensor XS2 M30 - L63mm - stainless - Sn22mm - 12..24VDC - cable 2m



## Main

|                                    |                                                                                 |
|------------------------------------|---------------------------------------------------------------------------------|
| Range of product                   | OsiSense XS                                                                     |
| Series name                        | Application                                                                     |
| Sensor type                        | Inductive proximity sensor                                                      |
| Device application                 | Food and beverage                                                               |
| Sensor name                        | XS2                                                                             |
| Sensor design                      | Cylindrical M30                                                                 |
| Size                               | 63 mm                                                                           |
| Body type                          | Fixed                                                                           |
| Detector flush mounting acceptance | Non flush mountable                                                             |
| Material                           | Stainless steel                                                                 |
| Type of output signal              | Discrete                                                                        |
| Wiring technique                   | 3-wire                                                                          |
| [Sn] nominal sensing distance      | 22 mm                                                                           |
| Discrete output function           | 1 NO                                                                            |
| Output circuit type                | DC                                                                              |
| Discrete output type               | PNP                                                                             |
| Electrical connection              | Cable                                                                           |
| Cable length                       | 2 m                                                                             |
| [Us] rated supply voltage          | 12...24 V DC with reverse polarity protection                                   |
| Switching capacity in mA           | <= 200 mA with overload and short-circuit protection                            |
| IP degree of protection            | IP68 double insulation conforming to IEC 60529<br>IP69K conforming to DIN 40050 |

## Complementary

|                |           |
|----------------|-----------|
| Thread type    | M30 x 1.5 |
| Detection face | Frontal   |
| Front material | PPS       |

|                          |                              |
|--------------------------|------------------------------|
| Enclosure material       | Stainless steel 316 L        |
| Operating zone           | 0...17.6 mm                  |
| Differential travel      | 1...15% of Sr                |
| Cable composition        | 3 x 0.34 mm <sup>2</sup>     |
| Wire insulation material | PVC                          |
| Status LED               | Output state: 1 LED (yellow) |
| Supply voltage limits    | 10...36 V DC                 |
| Switching frequency      | <= 500 Hz                    |
| Maximum voltage drop     | <2 V (closed)                |
| Current consumption      | <= 10 mA no-load             |
| Maximum delay first up   | 10 ms                        |
| Maximum delay response   | 0.6 ms                       |
| Maximum delay recovery   | 1.4 ms                       |
| Marking                  | CE                           |
| Threaded length          | 41 mm                        |
| Length                   | 63 mm                        |
| Product weight           | 0.205 kg                     |

## Environment

|                                       |                                                                         |
|---------------------------------------|-------------------------------------------------------------------------|
| Product certifications                | UL<br>CSA                                                               |
| Ambient air temperature for operation | -25...85 °C                                                             |
| Ambient air temperature for storage   | -40...85 °C                                                             |
| Vibration resistance                  | 25 gn amplitude = +/- 2 mm (f = 10...55 Hz) conforming to IEC 60068-2-6 |
| Shock resistance                      | 50 gn for 11 ms conforming to IEC 60068-2-27                            |

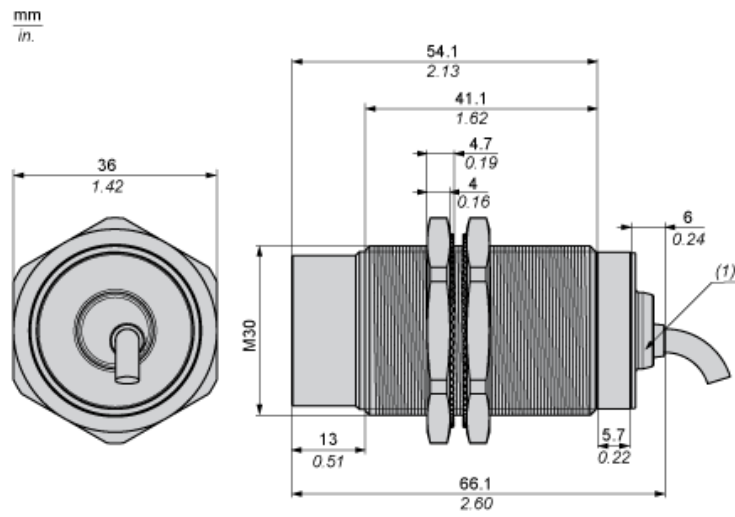
## Offer Sustainability

|                            |                                                                                                   |
|----------------------------|---------------------------------------------------------------------------------------------------|
| Sustainable offer status   | Green Premium product                                                                             |
| EU RoHS Directive          | Pro-active compliance (Product out of EU RoHS legal scope)<br><a href="#">EU RoHS Declaration</a> |
| Mercury free               | Yes                                                                                               |
| RoHS exemption information | <a href="#">Yes</a>                                                                               |
| Environmental Disclosure   | <a href="#">Product Environmental Profile</a>                                                     |
| Circularity Profile        | <a href="#">End of Life Information</a>                                                           |

## Contractual warranty

|          |           |
|----------|-----------|
| Warranty | 18 months |
|----------|-----------|

Dimensions



(1) LED

---

Minimum Mounting Distances in mm

---

Side by side



$e (1) \geq 120 \text{ mm}/4.72 \text{ in.}$

Face to face



$e (2) \geq 264 \text{ mm}/10.39 \text{ in.}$

Facing a metal object

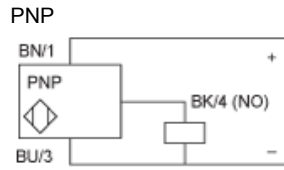


$e (3) \geq 66 \text{ mm}/2.60 \text{ in.}$

(4) Metal

(5) Object to be detected

## Wiring Schemes



BU : Blue  
BN : Brown  
BK : Black