



Price\* : 50.43 GBP



## Main

|                                    |  |
|------------------------------------|--|
| Range of product                   | OsiSense XS  |
| Series name                        | General purpose                                      |
| Sensor type                        | Inductive proximity sensor                           |
| Sensor name                        | XS4  |
| Sensor design                      | Cylindrical M30                                      |
| Size                               | 50 mm  |
| Body type                          | Fixed  |
| Detector flush mounting acceptance | Non flush mountable                                  |
| Material                           | Plastic  |
| Type of output signal              | Discrete   |
| Wiring technique                   | 4-wire   |
| [Sn] nominal sensing distance      | 15 mm  |
| Discrete output function           | 1 NO + 1 NC  |
| Output circuit type                | DC   |
| Discrete output type               | PNP  |
| Electrical connection              | Male connector M12, 4 pins                           |
| [Us] rated supply voltage          | 12...24 V DC with reverse polarity protection        |
| Switching capacity in mA           | <= 200 mA with overload and short-circuit protection |
| IP degree of protection            | IP67 conforming to IEC 60529                         |

## Complementary

|                    |           |
|--------------------|-----------|
| Thread type        | M30 x 1.5 |
| Detection face     | Frontal   |
| Front material     | PPS       |
| Enclosure material | PPS       |
| Operating zone     | 0...12 mm |

|                        |                              |
|------------------------|------------------------------|
| Differential travel    | 1...15% of Sr                |
| Status LED             | Output state: 1 LED (yellow) |
| Supply voltage limits  | 10...36 V DC                 |
| Switching frequency    | <= 1000 Hz                   |
| Maximum voltage drop   | <2 V (closed)                |
| Current consumption    | 0...10 mA no-load            |
| Maximum delay first up | 5 ms                         |
| Maximum delay response | 0.3 ms                       |
| Maximum delay recovery | 0.7 ms                       |
| Marking                | CE                           |
| Threaded length        | 34 mm                        |
| Height                 | 30 mm                        |
| Length                 | 50 mm                        |
| Product weight         | 0.1 kg                       |

## Environment

|                                       |   |
|---------------------------------------|---|
| Product certifications                | CSA<br>UL   |
| Ambient air temperature for operation | -25...70 °C   |
| Ambient air temperature for storage   | -40...85 °C   |
| Vibration resistance                  | 25 gn amplitude = +/- 2 mm (f = 10...55 Hz) conforming to IEC 60068-2-6 |
| Shock resistance                      | 50 gn for 11 ms conforming to IEC 60068-2-27                            |

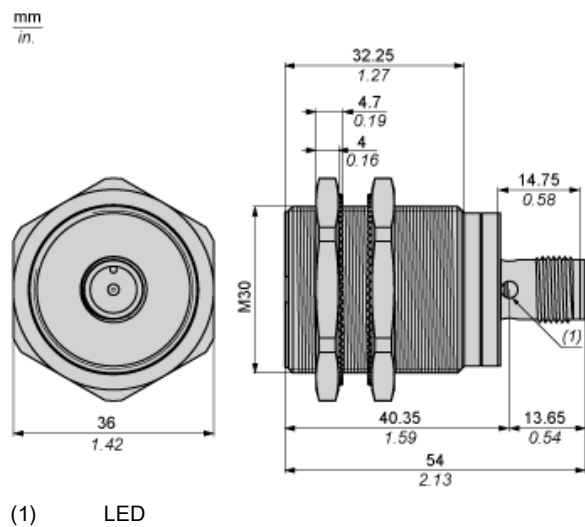
## Offer Sustainability

|                            |   |
|----------------------------|---|
| Sustainable offer status   | Green Premium product   |
| EU RoHS Directive          | Pro-active compliance (Product out of EU RoHS legal scope)<br><a href="#">EU RoHS Declaration</a> |
| Mercury free               | Yes   |
| RoHS exemption information | <a href="#">Yes</a>   |
| Environmental Disclosure   | <a href="#">Product Environmental Profile</a>   |
| Circularity Profile        | <a href="#">End of Life Information</a>   |

## Contractual warranty

|          |           |
|----------|-----------|
| Warranty | 18 months |
|----------|-----------|

Dimensions



---

Minimum Mounting Distances

---

Side by side



$e (1) \geq 60 \text{ mm}/2.36 \text{ in.}$

Face to face



$e (2) \geq 180 \text{ mm}/7.09 \text{ in.}$

Facing a metal object



$e (3) \geq 45 \text{ mm}/1.77 \text{ in.}$

Mounted in a metal support



$d \geq 90 \text{ mm}/3.54 \text{ in.}$

$h \geq 30 \text{ mm}/1.18 \text{ in.}$

---

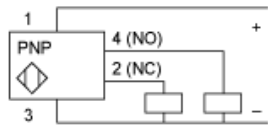
Wiring Schemes

---

M12 connector

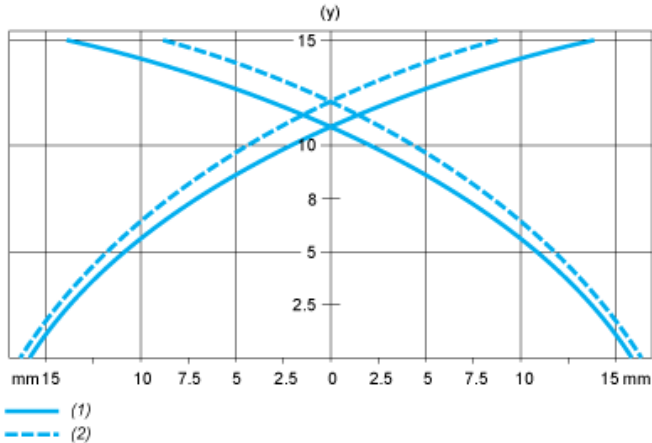


PNP 4-wire



Performance Curves

Standard Steel Target : 45x45x1 mm



- (1) Pick-up points
- (2) Drop-out points (object approaching from the side)
- (y) Sensing distance in mm