



### Main

|                                    |   |
|------------------------------------|---|
| Range of product                   | OsiSense XS   |
| Series name                        | General purpose   |
| Sensor type                        | Inductive proximity sensor  |
| Device application                 | -   |
| Sensor name                        | XS5   |
| Sensor design                      | Cylindrical M18   |
| Size                               | 62 mm   |
| Body type                          | Fixed   |
| Detector flush mounting acceptance | Flush mountable   |
| Material                           | Metal   |
| Type of output signal              | Discrete  |
| Wiring technique                   | 2-wire  |
| [Sn] nominal sensing distance      | 5 mm  |
| Discrete output function           | 1 NC  |
| Output circuit type                | DC  |
| Electrical connection              | 4 pins M12 remote male connector  |
| Cable length                       | 0.8 m   |
| [Us] rated supply voltage          | 12...48 V DC  |
| Switching capacity in mA           | 1.5...100 mA DC with overload and short-circuit protection  |
| IP degree of protection            | IP68 double insulation conforming to IEC 60529<br>IP65 conforming to IEC 60529<br>IP69K conforming to DIN 40050 |

### Complementary

|                    |                     |
|--------------------|---------------------|
| Thread type        | M18 x 1             |
| Detection face     | Frontal             |
| Front material     | PPS                 |
| Enclosure material | Nickel plated brass |

|                          |                              |
|--------------------------|------------------------------|
| Operating zone           | 0...4 mm                     |
| Differential travel      | 1...15% of Sr                |
| Cable composition        | 2 x 0.34 mm <sup>2</sup>     |
| Wire insulation material | PvR                          |
| Status LED               | Output state: 1 LED (yellow) |
| Supply voltage limits    | 10...58 V DC                 |
| Maximum residual current | 0.5 mA open state            |
| Switching frequency      | <= 3000 Hz                   |
| Maximum voltage drop     | <4 V (closed)                |
| Maximum delay first up   | 10 ms                        |
| Maximum delay response   | 0.15 ms                      |
| Maximum delay recovery   | 0.2 ms                       |
| Marking                  | CE                           |
| Threaded length          | 52 mm                        |
| Height                   | 18 mm                        |
| Length                   | 62 mm                        |
| Product weight           | 0.15 kg                      |

## Environment

|                                       |   |
|---------------------------------------|---|
| Product certifications                | CCC<br>UL<br>CSA  |
| Ambient air temperature for operation | -25...70 °C   |
| Ambient air temperature for storage   | -40...85 °C   |
| Vibration resistance                  | 25 gn amplitude = +/- 2 mm (f = 10...55 Hz) conforming to IEC 60068-2-6 |
| Shock resistance                      | 50 gn for 11 ms conforming to IEC 60068-2-27                            |

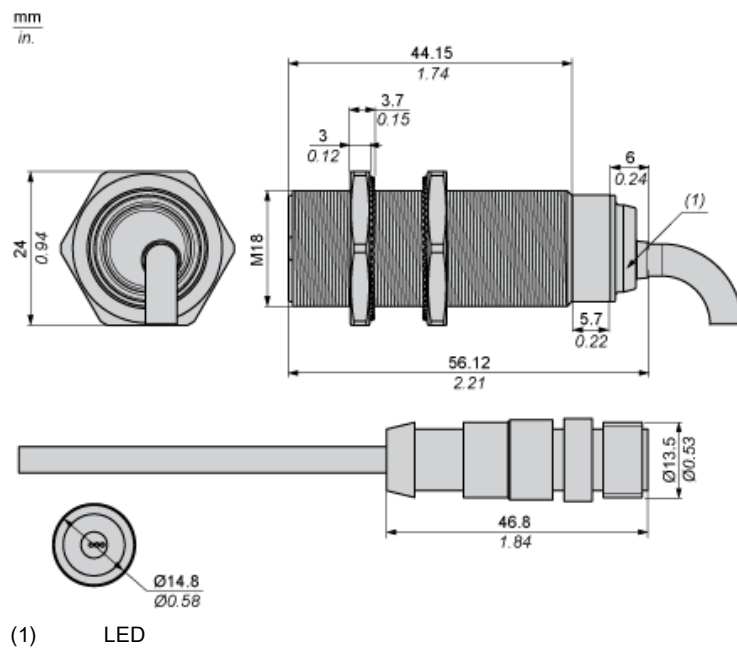
## Offer Sustainability

|                            |   |
|----------------------------|---|
| Sustainable offer status   | Green Premium product   |
| EU RoHS Directive          | Pro-active compliance (Product out of EU RoHS legal scope)<br><a href="#">EU RoHS Declaration</a> |
| Mercury free               | Yes   |
| RoHS exemption information | <a href="#">Yes</a>   |
| Environmental Disclosure   | <a href="#">Product Environmental Profile</a>   |
| Circularity Profile        | <a href="#">End of Life Information</a>   |

## Contractual warranty

|          |           |
|----------|-----------|
| Warranty | 18 months |
|----------|-----------|

Dimensions



---

Minimum Mounting Distances

---

Side by side



$e (1) \geq 10 \text{ mm}/0.39 \text{ in.}$

Face to face



$e (2) \geq 60 \text{ mm}/2.36 \text{ in.}$

Facing a metal object



$e (3) \geq 15 \text{ mm}/0.60 \text{ in.}$

---

Wiring Schemes

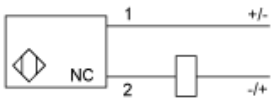
---

2-Wire Non-polarised

M12 connector

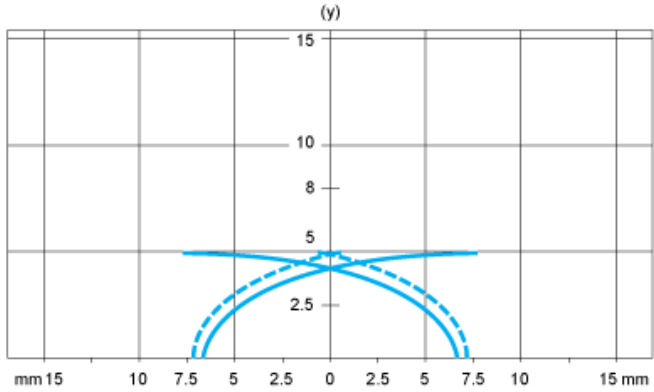


NC output



Performance Curves

Standard Steel Target : 18x18x1 mm



- (1) Pick-up points
- (2) Drop-out points (object approaching from the side)
- (y) Sensing distance in mm