



Price* : 60.09 GBP



Main

| | |
|------------------------------------|---|
| Range of product | OsiSense XS |
| Series name | General purpose |
| Sensor type | Inductive proximity sensor |
| Device application | - |
| Sensor name | XS5 |
| Sensor design | Cylindrical M30 |
| Size | 73 mm |
| Body type | Fixed |
| Detector flush mounting acceptance | Flush mountable |
| Material | Metal |
| Type of output signal | Discrete |
| Wiring technique | 2-wire |
| [Sn] nominal sensing distance | 10 mm |
| Discrete output function | 1 NC |
| Output circuit type | AC/DC |
| Electrical connection | 3 pins 1/2"20 UNF male connector |
| [Us] rated supply voltage | 24...240 V AC/DC with reverse polarity protection |
| Switching capacity in mA | 5...200 mA DC 5...300 mA AC |
| IP degree of protection | IP67 conforming to IEC 60529 IP69K conforming to DIN 40050 |

Complementary

| | |
|--------------------|---------------------|
| Thread type | M30 x 1.5 |
| Detection face | Frontal |
| Front material | PPS |
| Enclosure material | Nickel plated brass |

| | |
|--------------------------|------------------------------|
| Operating zone | 0...8 mm |
| Differential travel | 1...15% of Sr |
| Status LED | Output state: 1 LED (yellow) |
| Supply voltage limits | 20...264 V AC/DC |
| Maximum residual current | 0.8 mA open state |
| Switching frequency | <= 25 Hz AC <= 500 Hz DC |
| Maximum voltage drop | <5.5 V (closed) |
| Maximum delay first up | 25 ms |
| Maximum delay response | 0.5 ms |
| Maximum delay recovery | 2 ms |
| Marking | CE |
| Threaded length | 52 mm |
| Height | 30 mm |
| Length | 73 mm |
| Product weight | 0.165 kg |

Environment

| | |
|---------------------------------------|---|
| Product certifications | CSA UL |
| Ambient air temperature for operation | -25...70 °C |
| Ambient air temperature for storage | -40...85 °C |
| Vibration resistance | 25 gn amplitude = +/- 2 mm (f = 10...55 Hz) conforming to IEC 60068-2-6 |
| Shock resistance | 50 gn for 11 ms conforming to IEC 60068-2-27 |

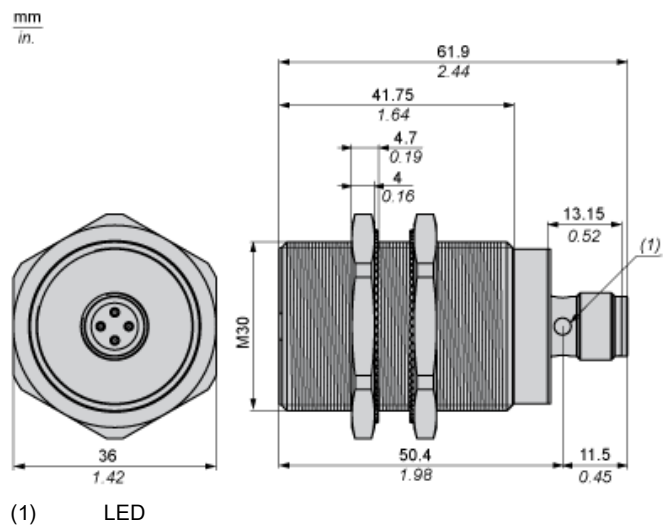
Offer Sustainability

| | |
|----------------------------|---|
| Sustainable offer status | Green Premium product |
| EU RoHS Directive | Pro-active compliance (Product out of EU RoHS legal scope) EU RoHS Declaration |
| Mercury free | Yes |
| RoHS exemption information | Yes |
| Environmental Disclosure | Product Environmental Profile |
| Circularity Profile | End of Life Information |

Contractual warranty

| | |
|----------|-----------|
| Warranty | 18 months |
|----------|-----------|

Dimensions



Minimum Mounting Distances

Side by side



$e (1) \geq 30 \text{ mm}/1.18 \text{ in.}$

Face to face



$e (2) \geq 180 \text{ mm}/7.09 \text{ in.}$

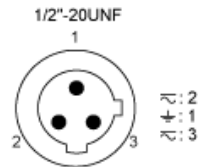
Facing a metal object



$e (3) \geq 45 \text{ mm}/1.77 \text{ in.}$

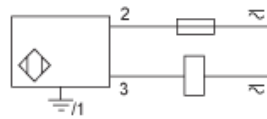
Wiring Schemes

1/2"-20UNF



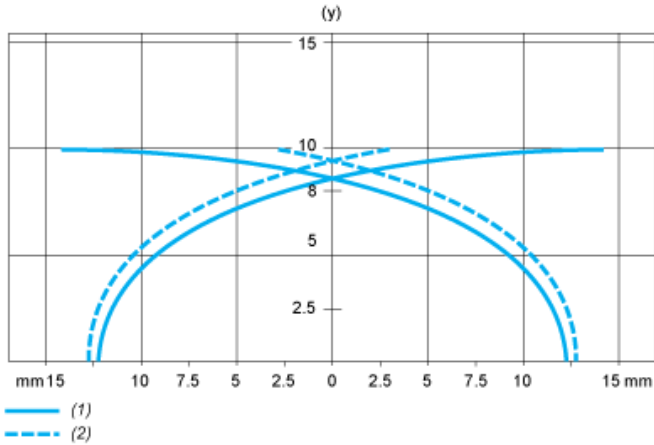
- 1 : Grounding
- 2 : AC
- 3 : AC

NC output



Performance Curves

Standard Steel Target : 30x30x1 mm



- (1) Pick-up points
- (2) Drop-out points (object approaching from the side)
- (y) Sensing distance in mm