



Main

| | |
|------------------------------------|---|
| Range of product | OsiSense XS |
| Series name | Application |
| Sensor type | Inductive proximity sensor |
| Device application | - |
| Sensor name | XS6 |
| Sensor design | Cylindrical M12 |
| Size | 55 mm |
| Body type | Fixed |
| Detector flush mounting acceptance | Non flush mountable |
| Material | Metal |
| Type of output signal | Discrete |
| Wiring technique | 3-wire |
| [Sn] nominal sensing distance | 5 mm non flush mountable 3.4 mm flush mountable |
| Discrete output function | 1 NC |
| Output circuit type | DC |
| Discrete output type | NPN |
| Electrical connection | Remote male connector M12, 4 pins |
| Cable length | 0.15 m |
| [Us] rated supply voltage | 12...24 V DC with reverse polarity protection |
| Switching capacity in mA | <= 100 mA with overload and short-circuit protection |
| IP degree of protection | IP67 double insulation conforming to IEC 60529 IP69K conforming to DIN 40050 |

Complementary

| | |
|----------------------|--|
| Thread type | M12 x 1 |
| Detection face | Frontal |
| Front material | PPS |
| Enclosure material | Nickel plated brass |
| Fine adjustment zone | 1.7...3.4 mm flush mountable 1.7...5 mm non flush mountable |

| | |
|--------------------------|---|
| Differential travel | 1...15% of Sr |
| Cable composition | 3 x 0.34 mm ² |
| Wire insulation material | PvR |
| Status LED | Supply on and teach mode: 1 LED (green) Output state: 1 LED (yellow) |
| Supply voltage limits | 10...36 V DC |
| Switching frequency | <= 1000 Hz |
| Maximum voltage drop | <2 V (closed) |
| Current consumption | <= 10 mA no-load |
| Maximum delay first up | 10 ms |
| Maximum delay response | 0.3 ms |
| Maximum delay recovery | 0.7 ms |
| Marking | CE |
| Threaded length | 42 mm |
| Length | 59 mm |
| Product weight | 0.1 kg |

Environment

| | |
|---------------------------------------|---|
| Product certifications | UL CSA |
| Ambient air temperature for operation | -25...70 °C |
| Ambient air temperature for storage | -40...85 °C |
| Vibration resistance | 25 gn amplitude = +/- 2 mm (f = 10...55 Hz) conforming to IEC 60068-2-6 |
| Shock resistance | 50 gn for 11 ms conforming to IEC 60068-2-27 |

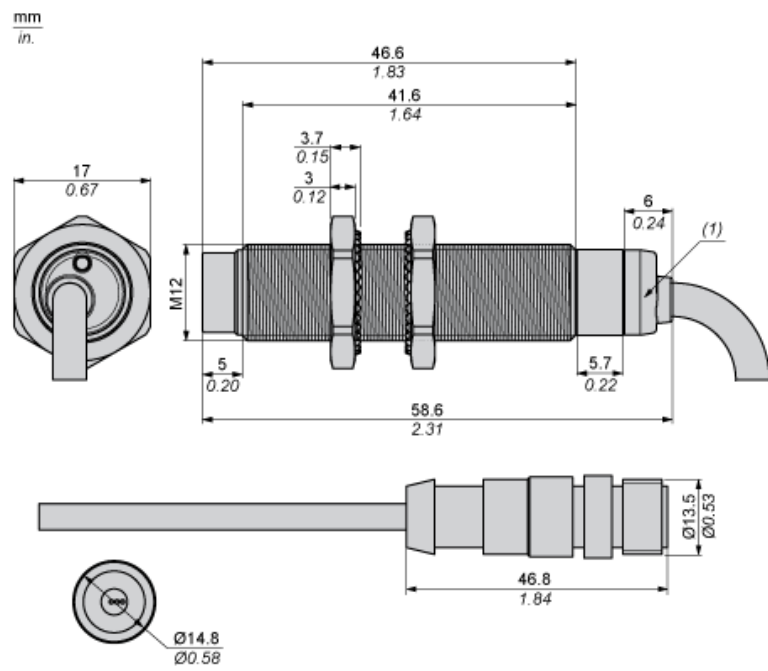
Offer Sustainability

| | |
|--------------------------|---|
| EU RoHS Directive | Not applicable, out of EU RoHS legal scope |
| Environmental Disclosure | Product Environmental Profile |
| Circularity Profile | End of Life Information |

Contractual warranty

| | |
|----------|-----------|
| Warranty | 18 months |
|----------|-----------|

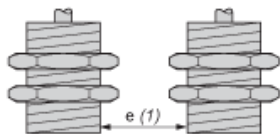
Dimensions



(1) LED

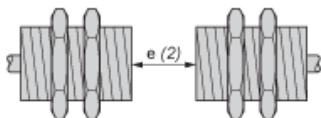
Minimum Mounting Distances in mm

Side by side



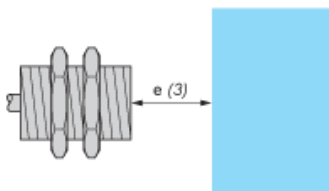
| e (1) | | | |
|---------------|--------|-------------------|------|
| Flush mounted | | Not flush mounted | |
| mm | in. | mm | in. |
| ≥ 14 | ≥ 0.55 | 50 | 1.97 |

Face to face



| e (2) | | | |
|---------------|--------|-------------------|------|
| Flush mounted | | Not flush mounted | |
| mm | in. | mm | in. |
| ≥ 50 | ≥ 1.97 | 100 | 3.94 |

Facing a metal object



| e (3) | |
|-------|--------|
| mm | in. |
| ≥ 3.4 | ≥ 0.13 |

Wiring Schemes

M12 connector



NPN



- 1 : (+)
- 2 : NC Output
- 3 : (-)
- 4 : Not connected