



Price\* : 39.42 GBP



## Main

|                                    |   |
|------------------------------------|---|
| Range of product                   | OsiSense XS   |
| Series name                        | General purpose   |
| Sensor type                        | Inductive proximity sensor                                    |
| Device application                 | -   |
| Sensor name                        | XS6   |
| Sensor design                      | Cylindrical M18   |
| Size                               | 74 mm   |
| Body type                          | Fixed   |
| Detector flush mounting acceptance | Flush mountable   |
| Material                           | Metal   |
| Type of output signal              | Discrete  |
| Wiring technique                   | 2-wire  |
| [Sn] nominal sensing distance      | 8 mm  |
| Discrete output function           | 1 NO  |
| Output circuit type                | DC  |
| Electrical connection              | Male connector M12, 4 pins                                    |
| [Us] rated supply voltage          | 12...48 V DC with reverse polarity protection                 |
| Switching capacity in mA           | <= 100 mA DC with overload and short-circuit protection       |
| IP degree of protection            | IP67 conforming to IEC 60529<br>IP69K conforming to DIN 40050 |

## Complementary

|                    |                     |
|--------------------|---------------------|
| Thread type        | M18 x 1             |
| Detection face     | Frontal             |
| Front material     | PPS                 |
| Enclosure material | Nickel plated brass |
| Operating zone     | 0...6.4 mm          |

|                        |                              |
|------------------------|------------------------------|
| Differential travel    | 1...15% of Sr                |
| Status LED             | Output state: 1 LED (yellow) |
| Supply voltage limits  | 10...58 V DC                 |
| Switching frequency    | <= 2000 Hz DC                |
| Maximum voltage drop   | <4 V (closed)                |
| Maximum delay first up | 10 ms                        |
| Maximum delay response | 0.3 ms                       |
| Maximum delay recovery | 0.3 ms                       |
| Marking                | CE                           |
| Threaded length        | 52 mm                        |
| Length                 | 74 mm                        |
| Product weight         | 0.04 kg                      |

## Environment

|                                       |   |
|---------------------------------------|---|
| Product certifications                | UL<br>CSA   |
| Ambient air temperature for operation | -25...70 °C   |
| Ambient air temperature for storage   | -40...85 °C   |
| Vibration resistance                  | 25 gn amplitude = +/- 2 mm (f = 10...55 Hz) conforming to IEC 60068-2-6 |
| Shock resistance                      | 50 gn for 11 ms conforming to IEC 60068-2-27                            |

## Offer Sustainability

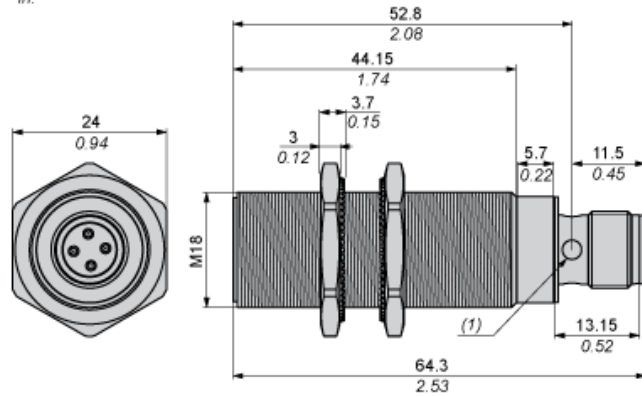
|                            |   |
|----------------------------|---|
| Sustainable offer status   | Green Premium product   |
| EU RoHS Directive          | Pro-active compliance (Product out of EU RoHS legal scope)<br><a href="#">EU RoHS Declaration</a> |
| Mercury free               | Yes   |
| RoHS exemption information | <a href="#">Yes</a>   |
| Environmental Disclosure   | <a href="#">Product Environmental Profile</a>   |
| Circularity Profile        | <a href="#">End of Life Information</a>   |

## Contractual warranty

|          |           |
|----------|-----------|
| Warranty | 18 months |
|----------|-----------|

Dimensions

mm  
in.



(1) LED

---

Minimum Mounting Distances

---

Side by side



$e (1) \geq 16 \text{ mm}/0.63 \text{ in.}$

Face to face



$e (2) \geq 100 \text{ mm}/3.94 \text{ in.}$

Facing a metal object



$e (3) \geq 25 \text{ mm}/0.98 \text{ in.}$

---

Wiring Schemes

---

2-Wire Non-polarised

M12 connector



NO output

