

XS618B1MAL01B

inductive sensor XS6 M18 - L62mm - brass -
Sn8mm - 24..240VAC/DC - term. 0.15m



Price* : 81.74 GBP



Main

| | |
|------------------------------------|---|
| Range of product | OsiSense XS |
| Series name | General purpose |
| Sensor type | Inductive proximity sensor |
| Device application | - |
| Sensor name | XS6 |
| Sensor design | Cylindrical M18 |
| Size | 62 mm |
| Body type | Fixed |
| Detector flush mounting acceptance | Flush mountable |
| Material | Metal |
| Type of output signal | Discrete |
| Wiring technique | 2-wire |
| [Sn] nominal sensing distance | 8 mm |
| Discrete output function | 1 NO |
| Output circuit type | AC/DC |
| Electrical connection | Remote male connector screw-clamp terminals |
| Cable length | 0.15 m |
| [Us] rated supply voltage | 24...240 V AC/DC 50/60 Hz |
| Switching capacity in mA | 5...200 mA DC 5...300 mA AC |
| IP degree of protection | IP68 double insulation conforming to IEC 60529 IP69K conforming to DIN 40050 |

Complementary

| | |
|----------------|---------|
| Thread type | M18 x 1 |
| Detection face | Frontal |
| Front material | PPS |

| | |
|--------------------------|------------------------------|
| Enclosure material | Nickel plated brass |
| Operating zone | 0...6.4 mm |
| Differential travel | 1...15% of Sr |
| Cable composition | 2 x 0.34 mm ² |
| Wire insulation material | PvR |
| Status LED | Output state: 1 LED (yellow) |
| Supply voltage limits | 20...264 V AC/DC |
| Maximum residual current | 0.8 mA open state |
| Switching frequency | <= 1000 Hz DC <= 25 Hz AC |
| Maximum voltage drop | <5.5 V |
| Maximum delay first up | 25 ms |
| Maximum delay response | 0.5 ms |
| Maximum delay recovery | 0.5 ms |
| Marking | CE |
| Threaded length | 52 mm |
| Length | 62 mm |
| Product weight | 0.12 kg |

Environment

| | |
|---------------------------------------|---|
| Ambient air temperature for operation | -25...70 °C |
| Ambient air temperature for storage | -40...85 °C |
| Vibration resistance | 25 gn amplitude = +/- 2 mm (f = 10...55 Hz) conforming to IEC 60068-2-6 |
| Shock resistance | 50 gn for 11 ms conforming to IEC 60068-2-27 |

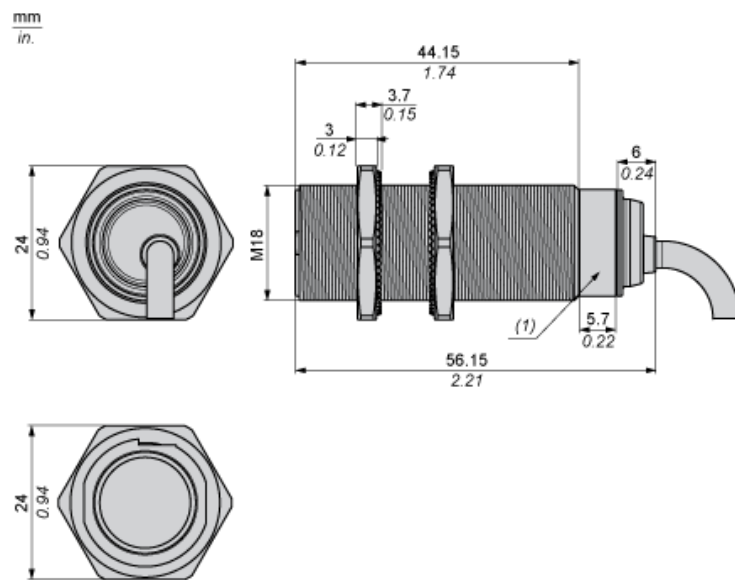
Offer Sustainability

| | |
|----------------------------|---|
| Sustainable offer status | Green Premium product |
| EU RoHS Directive | Pro-active compliance (Product out of EU RoHS legal scope) EU RoHS Declaration |
| Mercury free | Yes |
| RoHS exemption information | Yes |
| Environmental Disclosure | Product Environmental Profile |
| Circularity Profile | End of Life Information |

Contractual warranty

| | |
|----------|-----------|
| Warranty | 18 months |
|----------|-----------|

Dimensions



(1) LED

Minimum Mounting Distances

Side by side



$e (1) \geq 16 \text{ mm}/0.63 \text{ in.}$

Face to face



$e (2) \geq 100 \text{ mm}/3.94 \text{ in.}$

Facing a metal object



$e (3) \geq 25 \text{ mm}/0.98 \text{ in.}$

Wiring Schemes

The terminal numbering differs according to the version (2-wire DC, 3-wire DC, 2-wire AC).

NO output

