



Price\* : 26.86 GBP



### Main

|                                    |   |
|------------------------------------|---|
| Range of product                   | OsiSense XS   |
| Series name                        | General purpose   |
| Sensor type                        | Inductive proximity sensor                              |
| Device application                 | -   |
| Sensor name                        | XS7   |
| Sensor design                      | Flat form 26 x 26 x 13                                  |
| Size                               | 13 mm   |
| Body type                          | Fixed   |
| Detector flush mounting acceptance | Flush mountable   |
| Material                           | Plastic   |
| Enclosure material                 | PBT   |
| Type of output signal              | Discrete  |
| Wiring technique                   | 3-wire  |
| Discrete output function           | 1 NC  |
| Output circuit type                | DC  |
| Discrete output type               | PNP   |
| Electrical connection              | cable   |
| Cable length                       | 2 m   |
| [Us] rated supply voltage          | 12...24 V DC with reverse polarity protection           |
| Switching capacity in mA           | <= 100 mA DC with overload and short-circuit protection |
| IP degree of protection            | IP68 double insulation conforming to IEC 60529          |

### Complementary

|                |          |
|----------------|----------|
| Detection face | Frontal  |
| Front material | PBT      |
| Operating zone | 0...8 mm |

|                          |                              |
|--------------------------|------------------------------|
| Differential travel      | 1...15% of Sr                |
| Cable composition        | 3 x 0.34 mm <sup>2</sup>     |
| Wire insulation material | PvR                          |
| Status LED               | Output state: 1 LED (yellow) |
| Supply voltage limits    | 10...36 V DC                 |
| Switching frequency      | <= 1000 Hz                   |
| Maximum voltage drop     | <2 V (closed)                |
| Current consumption      | <= 10 mA no-load             |
| Maximum delay first up   | 10 ms                        |
| Maximum delay response   | 2 ms                         |
| Maximum delay recovery   | 6 ms                         |
| Marking                  | CE                           |
| Depth                    | 13 mm                        |
| Height                   | 26 mm                        |
| Width                    | 26 mm                        |
| Product weight           | 0.075 kg                     |

## Environment

|                                       |   |
|---------------------------------------|---|
| Product certifications                | CSA<br>UL<br>Ecolab<br>C-Tick   |
| Ambient air temperature for operation | -25...70 °C   |
| Ambient air temperature for storage   | -40...85 °C   |
| Vibration resistance                  | 25 gn amplitude = +/- 2 mm (f = 10...55 Hz) conforming to IEC 60068-2-6 |
| Shock resistance                      | 50 gn for 11 ms conforming to IEC 60068-2-27                            |

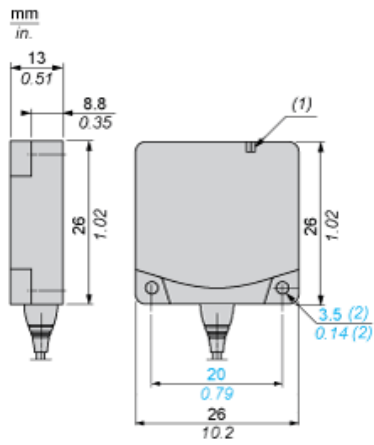
## Offer Sustainability

|                            |   |
|----------------------------|---|
| Sustainable offer status   | Green Premium product   |
| EU RoHS Directive          | Pro-active compliance (Product out of EU RoHS legal scope)<br><a href="#">EU RoHS Declaration</a> |
| Mercury free               | Yes   |
| RoHS exemption information | <a href="#">Yes</a>   |
| Environmental Disclosure   | <a href="#">Product Environmental Profile</a>   |
| Circularity Profile        | No need of specific recycling operations<br><a href="#">End of Life Information</a>               |

## Contractual warranty

|          |           |
|----------|-----------|
| Warranty | 18 months |
|----------|-----------|

Dimensions



- (1) LED
- (2) For CHC type screws

---

Setting-up

---

Minimum Mounting Distances (mm)

Side by Side



$$e (1) \geq 30$$

Face to Face



$$e (2) \geq 72$$

Facing a Metal Object



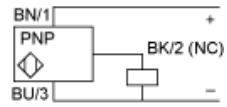
$$e (3) \geq 30$$

---

Wiring Schemes

---

PNP



BU : Blue  
BN : Brown  
BK : Black