



Price\* : 46.65 GBP



## Main

|                                    |                                                                                               |
|------------------------------------|-----------------------------------------------------------------------------------------------|
| Range of product                   | OsiSense XS                                                                                   |
| Series name                        | General purpose                                                                               |
| Sensor type                        | Inductive proximity sensor                                                                    |
| Device application                 | Mobile equipment                                                                              |
| Sensor name                        | XS8                                                                                           |
| Sensor design                      | Form 40 x 40 x 70                                                                             |
| Size                               | 70 mm                                                                                         |
| Body type                          | Fixed                                                                                         |
| Detector flush mounting acceptance | Non flush mountable                                                                           |
| Material                           | Plastic                                                                                       |
| Enclosure material                 | PBT                                                                                           |
| Type of output signal              | Discrete                                                                                      |
| Wiring technique                   | 3-wire                                                                                        |
| [Sn] nominal sensing distance      | 40 mm                                                                                         |
| Discrete output function           | 1 NO + 1 NC                                                                                   |
| Output circuit type                | DC                                                                                            |
| Discrete output type               | PNP                                                                                           |
| Electrical connection              | Male connector M12, 4 pins                                                                    |
| [Us] rated supply voltage          | 12...48 V DC with reverse polarity protection                                                 |
| Switching capacity in mA           | <= 200 mA with overload and short-circuit protection                                          |
| IP degree of protection            | IP67 conforming to IEC 60529<br>IP65 conforming to IEC 60529<br>IP69K conforming to DIN 40050 |

## Complementary

|              |                                                                                                            |
|--------------|------------------------------------------------------------------------------------------------------------|
| Safety level | SIL 2 conforming to EN/IEC 61508<br>PL = d conforming to EN/ISO 13849-1<br>SILCL 2 conforming to IEC 62061 |
|--------------|------------------------------------------------------------------------------------------------------------|

|                         |                                                                                                       |
|-------------------------|-------------------------------------------------------------------------------------------------------|
| Safety reliability data | MTTFd = 1546 years<br>PFHd = 7.4E-8 1/h<br>SFF = 92 %<br>DC = 75 % with appropriate safety controller |
| Detection face          | 5 positions turret head                                                                               |
| Front material          | PBT                                                                                                   |
| Operating zone          | 0...32 mm                                                                                             |
| Differential travel     | 3...15% of Sr                                                                                         |
| Repeat accuracy         | <= 3% of Sr                                                                                           |
| Status LED              | Supply on: 1 LED (green)<br>Output state: 1 LED (yellow)                                              |
| Supply voltage limits   | 10...58 V DC                                                                                          |
| Switching frequency     | <= 500 Hz                                                                                             |
| Maximum voltage drop    | <2 V (closed)                                                                                         |
| Current consumption     | 0...15 mA no-load                                                                                     |
| Maximum delay first up  | 7.5 ms                                                                                                |
| Maximum delay response  | 1.4 ms                                                                                                |
| Maximum delay recovery  | 2.5 ms                                                                                                |
| Marking                 | CE                                                                                                    |
| Height                  | 40 mm                                                                                                 |
| Length                  | 40 mm                                                                                                 |
| Width                   | 70 mm                                                                                                 |
| Product weight          | 0.149 kg                                                                                              |

## Environment

|                                       |                                                                         |
|---------------------------------------|-------------------------------------------------------------------------|
| Product certifications                | CSA<br>TÜV<br>E2<br>CCC<br>UL                                           |
| Ambient air temperature for operation | -25...70 °C                                                             |
| Ambient air temperature for storage   | -40...85 °C                                                             |
| Vibration resistance                  | 25 gn amplitude = +/- 2 mm (f = 10...55 Hz) conforming to IEC 60068-2-6 |
| Shock resistance                      | 50 gn for 11 ms conforming to EN 60068-2-27                             |

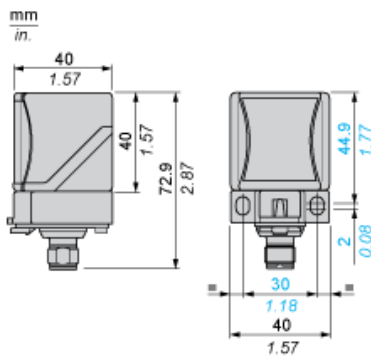
## Offer Sustainability

|                            |                                                                                                   |
|----------------------------|---------------------------------------------------------------------------------------------------|
| Sustainable offer status   | Green Premium product                                                                             |
| EU RoHS Directive          | Pro-active compliance (Product out of EU RoHS legal scope)<br><a href="#">EU RoHS Declaration</a> |
| Mercury free               | Yes                                                                                               |
| RoHS exemption information | <a href="#">Yes</a>                                                                               |
| Environmental Disclosure   | <a href="#">Product Environmental Profile</a>                                                     |
| Circularity Profile        | No need of specific recycling operations                                                          |

## Contractual warranty

|          |           |
|----------|-----------|
| Warranty | 18 months |
|----------|-----------|

Dimensions



Mounting

Head Positions



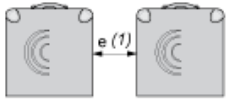
---

Setting-up Precautions

---

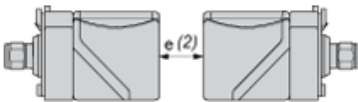
Minimum Mounting Distances (mm)

Side by Side



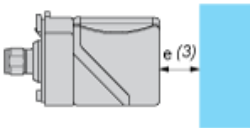
$$e (1) \geq 160$$

Face to Face



$$e (2) \geq 320$$

Facing a Metal Object



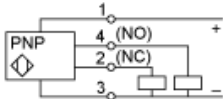
$$e (3) \geq 120$$

---

Wiring Schemes

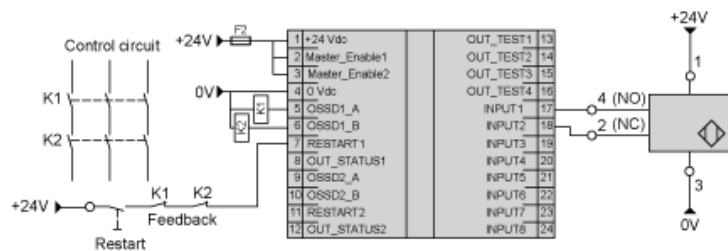
---

4-Wire DC



SIL 2 Wiring Scheme

With Preventa XPSMF40 Safety PLC



SFF : (Safe Failure Fraction): 92,68 %  
DC : (Diagnosis Coverage): 75,8 %