

Price* : 95.28 GBP



Main

| | |
|------------------------------------|--|
| Range of product | OsiSense XS |
| Series name | Application |
| Sensor type | Inductive proximity sensor |
| Device application | - |
| Sensor name | XS9 |
| Sensor design | Flat form 40 x 40 x 15 |
| Size | 15 mm |
| Body type | Fixed |
| Detector flush mounting acceptance | Flush mountable |
| Material | Plastic |
| Enclosure material | PBT |
| Type of output signal | Analogue |
| Wiring technique | 3-wire |
| [Sn] nominal sensing distance | 15 mm |
| Discrete output function | 1 NO |
| Output circuit type | DC |
| Analogue output range | 0...10 V |
| Electrical connection | Cable |
| Cable length | 5 m |
| [Us] rated supply voltage | 24 V DC |
| IP degree of protection | IP68 double insulation conforming to IEC 60529 |

Complementary

| | |
|--------------------------|--------------------------|
| Detection face | Frontal |
| Front material | PBT |
| Operating zone | 2...15 mm |
| Repeat accuracy | <= 3% of Sr |
| Linearity error | +/- 1 V |
| Cable composition | 3 x 0.34 mm ² |
| Wire insulation material | PvR |

| | |
|------------------------------|------------------|
| Status LED | Without |
| Supply voltage limits | 15...36 V DC |
| Switching frequency | <= 1000 Hz |
| Current consumption | 0...4 mA no-load |
| Maximum output current drift | 10 % |
| Marking | CE |
| Depth | 15 mm |
| Height | 40 mm |
| Width | 40 mm |

Environment

| | |
|---------------------------------------|---|
| Product certifications | CSA UL |
| Ambient air temperature for operation | -25...70 °C |
| Ambient air temperature for storage | -40...85 °C |
| Vibration resistance | 25 gn amplitude = +/- 2 mm (f = 10...55 Hz) conforming to IEC 60068-2-6 |
| Shock resistance | 50 gn for 11 ms conforming to IEC 60068-2-27 |

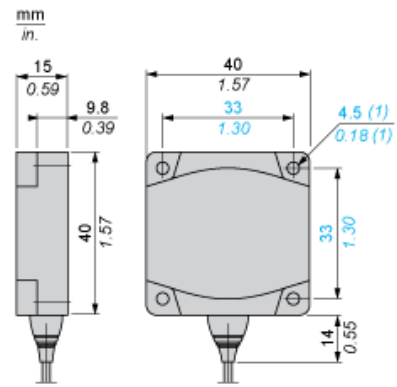
Offer Sustainability

| | |
|----------------------------|---|
| EU RoHS Directive | Pro-active compliance (Product out of EU RoHS legal scope) EU RoHS Declaration |
| Mercury free | Yes |
| RoHS exemption information | Yes |

Contractual warranty

| | |
|----------|-----------|
| Warranty | 18 months |
|----------|-----------|

Dimensions



(1) For CHC type screws

Setting-up

Minimum Mounting Distances (mm)

Side by Side



$$e (1) \geq 45$$

Face to Face



$$e (2) \geq 110$$

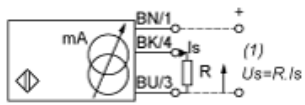
Facing a Metal Object



$$e (3) \geq 45$$

Wiring Schemes

3-Wire Connection

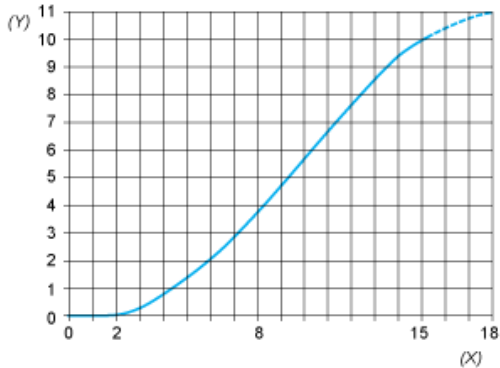


- BU : Blue
- BN : Brown
- BK : Black
- (1) Voltage output

Ensure a minimum of 5 V between the + (terminal 1) and the sensor output (terminal 4)

| | Output current | Load impedance value | Output voltage | Load impedance value |
|------|----------------|----------------------|----------------|----------------------|
| 24 V | 0...10 mA | $R \leq 1400 \Omega$ | 0...10 V | $R = 1000 \Omega$ |

Output Curves



(Y) Us (V)
(X) Sensors - object distance (mm)