

Price* : 73.25 GBP



Main

Range of product	OsiSense XS ATEX D
Series name	Application
Sensor type	Inductive proximity sensor
Device application	ATEX dust
Sensor name	XSP
Sensor design	Cylindrical M18
Size	41 mm
Body type	Fixed
Detector flush mounting acceptance	Flush mountable
Material	Plastic
Enclosure material	Plastic
[Sn] nominal sensing distance	5 mm
Type of output signal	Discrete
Wiring technique	2-wire
Discrete output function	1 NC
Output circuit type	DC
Discrete output type	Namur
Electrical connection	Cable
Cable length	2 m
[Us] rated supply voltage	7...12 V DC
Switching capacity in mA	<= 1 mA
IP degree of protection	IP67 conforming to IEC 60529

Complementary

Thread type	M18 x 1
Detection face	Frontal
Front material	PPS
Sensing range	> 4...8 mm
Operating zone	0...4 mm
Cable composition	2 x 0.34 mm ²

Wire insulation material	PvR
Maximum residual current	3 mA open state
Switching frequency	<= 500 Hz
Marking	II1 D-Ex ia IIIC T85°C Da IP66/67
Threaded length	29 mm
Height	18 mm
Length	41 mm

Environment

Standards	EN/IEC 60079-11 EN/IEC 60079-0
Directives	94/9/EC - ATEX directive
Product certifications	INERIS 04ATEX0016X
Ambient air temperature for operation	-20...60 °C
Dust zone	Zone 20

Offer Sustainability

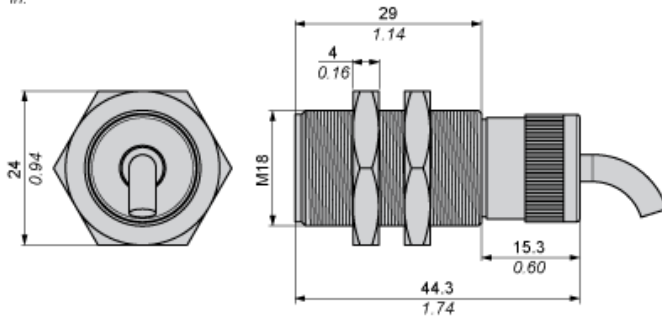
EU RoHS Directive	Not applicable, out of EU RoHS legal scope
-------------------	--

Contractual warranty

Warranty	18 months
----------	-----------

Dimensions

mm
in.



Minimum Mounting Distances

Side by side



$e (1) \geq 10 \text{ mm}/0.39 \text{ in.}$

Face to face



$e (2) \geq 60 \text{ mm}/2.36 \text{ in.}$

Facing a metal object



$e (3) \geq 15 \text{ mm}/0.60 \text{ in}$

Mounting



(1) Bending cable: 4 x external cable diameter

Wiring Schemes

2-Wire Non-polarised

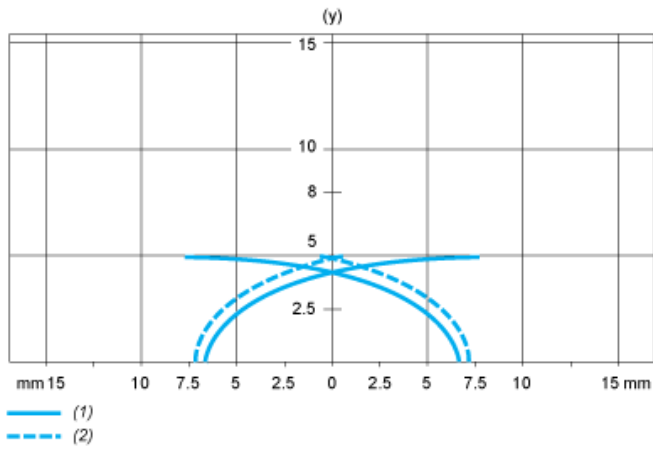
NO output



BU : Blue
BN : Brown

Performance Curves

Standard Steel Target : 18x18x1 mm



- (1) Pick-up points
- (2) Drop-out points (object approaching from the side)
- (y) Sensing distance in mm