

Price* : 172.78 GBP



Main

| | |
|------------------------------------|---|
| Range of product | OsiSense XT |
| Sensor type | Capacitive proximity sensor |
| Product specific application | Detection of insulated materials |
| Sensor name | XT7 |
| Sensor design | Form 40 x 40 x 117 |
| Size | 117 mm |
| Body type | Plug-in body |
| Detector flush mounting acceptance | Flush mountable |
| Material | Plastic |
| Enclosure material | Plastic |
| Type of output signal | Discrete |
| Wiring technique | 4-wire |
| [Sn] nominal sensing distance | 15 mm |
| Discrete output function | 1 NC + 1 NO |
| Output circuit type | DC |
| Discrete output type | PNP |
| Electrical connection | Screw clamp terminal, 4 x 1.5 mm ² |
| [Us] rated supply voltage | 12...48 V DC |
| Maximum delay response | 5 ms |
| IP degree of protection | IP67 conforming to IEC 60529 |

Complementary

| | |
|-----------------------|---|
| Detection face | 5 positions turret head |
| Differential travel | < 0.2 x Sr |
| Repeat accuracy | < 0.1 x Sr |
| Cable entry | 1 entry tapped for Pg 13.5 cable gland |
| Status LED | Supply state indication: 1 LED (green) Output state indication: 1 LED (yellow) |
| Supply voltage limits | 10...58 V DC |
| Protection type | Short-circuit protection |
| Switching frequency | <= 100 Hz |

| | |
|---------------------------|------------------------------|
| Maximum voltage drop | <2 V (closed) |
| Current consumption | <= 10 mA |
| Maximum delay first up | 30 ms |
| Maximum delay recovery | 5 ms |
| Maximum switching current | 200 mA |
| Marking | CE |
| Setting-up | Sensitivity by potentiometer |
| Depth | 40 mm |
| Height | 117 mm |
| Width | 40 mm |
| Product weight | 0.22 kg |

Environment

| | |
|---------------------------------------|-------------|
| Product certifications | UL CSA |
| Ambient air temperature for operation | -25...70 °C |

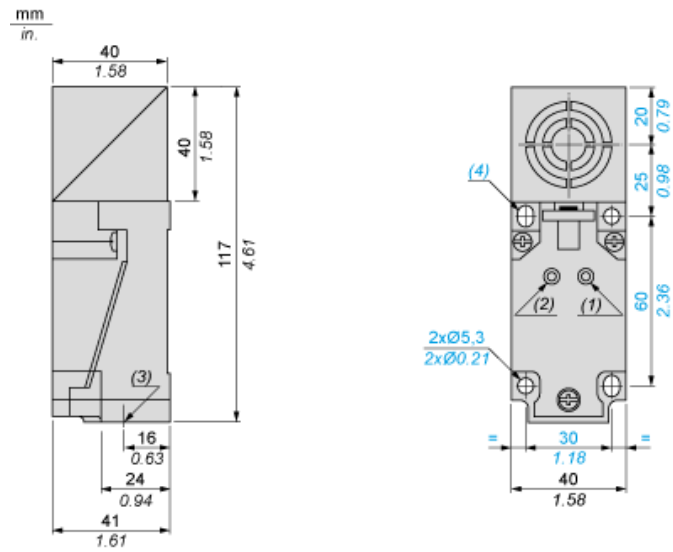
Offer Sustainability

| | |
|----------------------------|---|
| EU RoHS Directive | Pro-active compliance (Product out of EU RoHS legal scope) EU RoHS Declaration |
| Mercury free | Yes |
| RoHS exemption information | Yes |

Contractual warranty

| | |
|----------|-----------|
| Warranty | 18 months |
|----------|-----------|

Dimensions

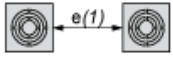


- (1) Output LED
- (2) Supply LED
- (3) 1 tapped entry for 13P cable gland
- (4) 2 elongated holes $\varnothing 5.3 \times 7$

Setting-up

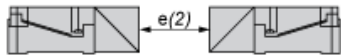
Minimum Mounting Distances (mm)

Side by side



$e(1) \geq 40$

Face to face



$e(2) \geq 120$

Wiring Diagram

3-wire DC NO + NC Output

