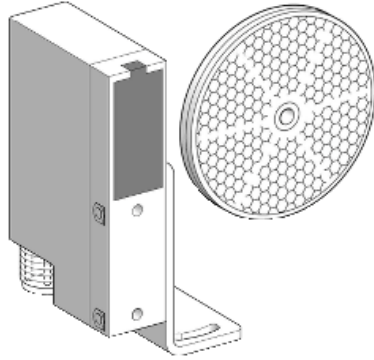


Price\* : 104.34 GBP



## Main

Range of product	OsiSense XU
Series name	General purpose single mode
Electronic sensor type	Photo-electric sensor
Sensor name	XUL
Sensor design	Compact
Detection system	Reflex
Material	Plastic
Type of output signal	Discrete
Supply circuit type	DC
Wiring technique	3-wire
Discrete output type	PNP
Discrete output function	1 NO or 1 NC programmable
Electrical connection	1 male connector M12, 4 pins
Product specific application	-
Emission	Infrared reflex
[Sn] nominal sensing distance	6 m reflex need reflector XUZC80

## Complementary

Enclosure material	ABS
Lens material	PMMA
Maximum sensing distance	9 m with reflector Ø 80 mm
Output type	Solid state
Output function governance	Light or dark programmable
Add on output	Without
Cable composition	4 x 0.34 mm <sup>2</sup>
Wire insulation material	PVC
Cable outer diameter	6 mm
Status LED	1 LED for output state
[Us] rated supply voltage	12...24 V DC with reverse polarity protection
Supply voltage limits	10...30 V DC

Switching capacity in mA	<= 100 mA (overload and short-circuit protection)
Switching frequency	<= 250 Hz
Maximum voltage drop	<1.5 V (closed state)
Current consumption	<= 35 mA no-load
Maximum delay first up	15 ms
Maximum delay response	2 ms
Maximum delay recovery	2 ms
Setting-up	Without sensitivity adjustment
Depth	35 mm
Height	70 mm
Width	18 mm
Product weight	0.135 kg
Kit composition	Sensor Bracket XULZ41

## Environment

Product certifications	UR CSA CE
Ambient air temperature for operation	-25...55 °C
Ambient air temperature for storage	-40...70 °C
Vibration resistance	7 gn, amplitude = +/- 2 mm (f = 10...55 Hz) conforming to IEC 60068-2-6
Shock resistance	20 gn (duration = 11 ms) conforming to IEC 60068-2-27
IP degree of protection	IP67 conforming to IEC 60529 IP671 conforming to NF C 20-010

## Offer Sustainability

EU RoHS Directive	Not applicable, out of EU RoHS legal scope
-------------------	--

## Contractual warranty

Warranty	18 months
----------	-----------