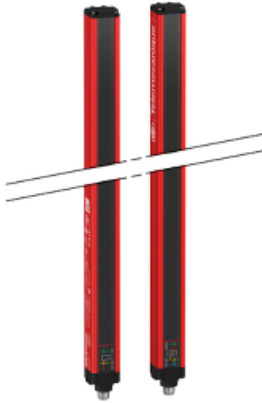




Price* : 2,078.58 GBP



Main

| | |
|----------------------------------|---|
| Range of product | Preventa Safety detection |
| Product or component type | Safety light curtain type 4 |
| Device short name | XUSL4E |
| Output type | 2 safety outputs OSSD solid-state PNP (arc suppression) |
| Product specific application | For hand protection |
| [R] Resolution | 30 mm |
| [Sn] nominal sensing distance | 3...20 m by cabling 0...10 m by cabling |
| [Hp] Height protected | 1060 mm |
| Number of beams | 53 |
| Type of start / restart | Manual Automatic |
| External Device Monitoring (EDM) | Selected by wiring |

Complementary

| | |
|--------------------------------|--|
| Detection system | Transmitter-receiver system |
| Response time | 8.5 ms |
| Kit composition | adjustable mounting bracket(s) 1 receiver(s) 1 transmitter(s) 1 user guide with certificate of conformity on CD-ROM |
| [EAA] effective aperture angle | 2.5 ° at 3 m |
| Emission | IR LED 950 nm |
| [Us] rated supply voltage | 24 V DC +/- 20 % |
| Supply | Power supply conforming to IEC 61496-1 Power supply conforming to IEC 60204-1 |
| [Ie] rated operational current | 2 A |
| Current consumption | 42 mA no-load transmitter 83 mA no-load receiver |

| | |
|-----------------------|---|
| | 42 mA transmitter 900 mA with maximum load receiver |
| Output current limits | 0.4 A for safety outputs OSSD |
| Output voltage | 24 V |
| Output circuit type | DC |
| Maximum voltage drop | <0.5 V |
| Local signalling | 1 multi-colour LED transmitter 2 dual colour LEDs receiver |
| Electrical connection | 1 male connector M12 5 pins transmitter 1 male connector M12 8 pins receiver |
| Function available | Test Muting through external safety module XPSLCMUT1160 LED display of operating modes and faults |
| Marking | CE |
| Material | Aluminium: casing Polycarbonate: front panel Polypropylene: end caps |
| Housing colour | Red RAL 3000 |
| Fixing mode | By fixing brackets |
| Product weight | 2 kg |
| Offer type | Long distance |

Environment

| | |
|---------------------------------------|--|
| Directives | 89/336/EEC - electromagnetic compatibility 89/655/EEC - work equipment 2002/95/EC - RoHS directive 2002/96/EC - WEEE directive 98/37/EEC - machinery |
| Product certifications | TÜV CULus CE |
| Safety level (correctly wired) | Type 4 conforming to IEC 61496-1 SIL 3 conforming to IEC 61508 SILCL 3 conforming to IEC 62061 Category 4 conforming to EN/ISO 13849-1 PL = e conforming to EN/ISO 13849-1 |
| Optical characteristic | Resistance to light disturbance conforming to EN/IEC 61496-2 |
| Mission time | 20 year(s) |
| Safety reliability data | PFHd = 1.43E-8 1/h conforming to IEC 61508 |
| Ambient air temperature for operation | 14...131 °F -20...55 °C |
| Ambient air temperature for storage | -35...70 °C -13...158 °F |
| Relative humidity | 0...95 % without condensation |
| IP degree of protection | IP65 IP67 |
| Shock resistance | 10 gn for 16 ms conforming to IEC 61496-1 |
| Vibration resistance | 0.35 +/- 0.05 mm (f= 10...55 Hz) conforming to IEC 61496-1 |

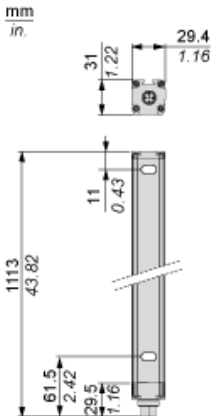
Offer Sustainability

| | |
|----------------------------|---|
| Sustainable offer status | Green Premium product |
| EU RoHS Directive | Pro-active compliance (Product out of EU RoHS legal scope) EU RoHS Declaration |
| Toxic heavy metal free | Yes |
| Mercury free | Yes |
| RoHS exemption information | Yes |
| Environmental Disclosure | Product Environmental Profile |
| Circularity Profile | End of Life Information |

Contractual warranty

| | |
|----------|-----------|
| Warranty | 18 months |
|----------|-----------|

Dimensions



Brackets Dimensions



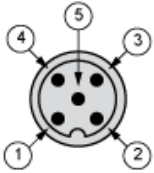
Mounting and Clearance



- (1) Insert
- (2) Bracket
- (3) Washer
- (4) Spring washer
- (5) Nut

Wiring Diagrams

Transmitter Connections

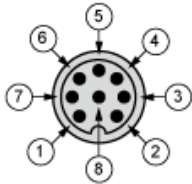


- (1) +24 Vdc
- (2) Configuration_0
- (3) 0 Vdc
- (4) Configuration_1
- (5) FE

Transmitter configurations and operating modes

| | High range option | Low range option | Transmitter in Test state | Forbidden wiring |
|-------------------------|-------------------|------------------|---------------------------|------------------|
| Pin 4 : Configuration_1 | 24 V | 0 V | 0 V | 24 V |
| Pin 2 : Configuration_0 | 0 V | 24 V | 0 V | 24 V |

Receiver Connections



- (1) OSSD1
- (2) + 24 V
- (3) OSSD2
- (4) Configuration_A
- (5) K1_K2 Feedback/Restart
- (6) Configuration_B
- (7) 0 Vdc
- (8) FE

Receiver Configurations and Operating Modes

Automatic Start/Restart

Without External Device Monitoring (EDM) feedback loop



With External Device Monitoring (EDM) feedback loop



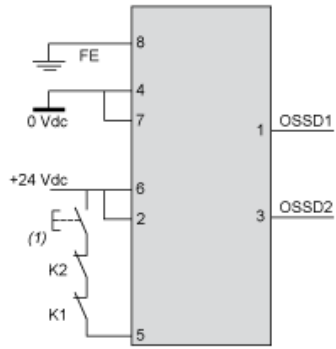
Manual Start/Restart

Without External Device Monitoring (EDM) feedback loop



(1) Restart

With External Device Monitoring (EDM) feedback loop



(1) Restart

Connecting to a Safety Interface

The screenshot shows a product page for XUSL4E14F016N. On the left, a 'Discover' sidebar lists navigation options: Characteristics, Dimensions Drawings, Mounting and Clearance, Connections and Schema, and Download & Documents. A red box highlights 'Download & Documents', with a line leading to a circled '1'. The main content area is titled 'Download & Documents 1 to 9 of 9' and lists various documents. A red box highlights the 'Application solutions' section, with a line leading to a circled '2'. The documents listed include:

- Image of product: Generic image for XUSL standard sensing distance. SILENT 2014-12-11 (Se)
- Product environmental: XUSL4E..., XUSL2E... Safety Light Curtain, Product Environmental Profile. English 2014-09-08 pdf
- End of life manual: XUSL4E..., XUSL2E... Safety Light Curtain, Product End-of-Life Instructions. English 2014-09-08 pdf
- Application solutions: Safety light curtains association with safety interfaces. English 2016-01-08 pdf
- Catalog: Safety light curtains Preventa XUSL. English 2015-05-18 pdf
- User guide: XUSL2E..., XUSL4E... Type 2 and Type 4 Safety Light Curtains, User Manual. English 2015-06-25 pdf

- 1 : Click on Download & Documents
- 2 : Click on Application solutions

To have all connection schematics concerning our safety module, select "download and document" and download the file "Safety light curtains association with safety interfaces"