



Main

| | |
|---------------------------------------|--|
| Range of product | Preventa Safety detection |
| Accessory / separate part category | Protection accessories |
| Accessory / separate part type | Protective screen |
| Product compatibility | XUSL.E...76 |
| Accessory / separate part destination | Safety light curtain type 2 Safety light curtain type 4 |
| Height | 795 mm |
| Quantity per set | Set of 4 |

Complementary

| | |
|--|---------------|
| Material | Polycarbonate |
| Sensing distance reduction coefficient | 0.97 Sn |
| Product weight | 0.31 kg |

Environment

| | |
|---------------------------------------|---|
| Resistance to chemical agents | Resistant alkalis Resistant aqueous solutions Resistant detergents and cleaners Resistant to inorganic diluted acids |
| Ambient air temperature for operation | -10...55 °C 14...131 °F |
| Ambient air temperature for storage | -25...70 °C -13...158 °F |

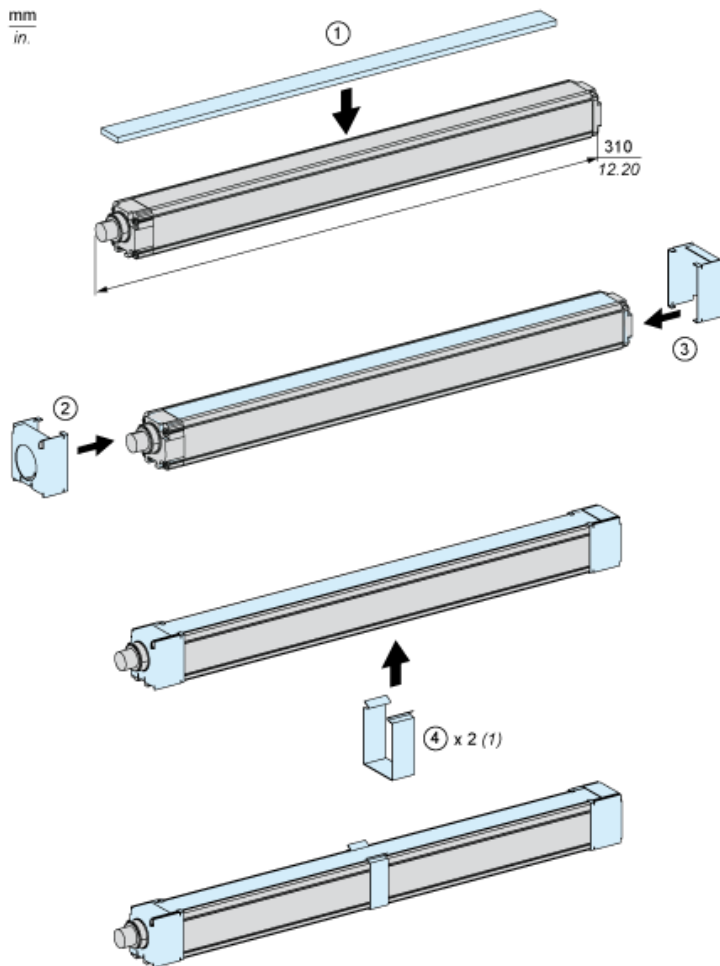
Offer Sustainability

| | |
|----------------------------------|---|
| Sustainable offer status | Green Premium product |
| RoHS (date code: YYWW) | Compliant - since 1425 - Schneider Electric declaration of conformity |
| REACH | Reference not containing SVHC above the threshold |
| Product environmental profile | Available Download Product Environmental |
| Product end of life instructions | Available Download End Of Life Manual |

The information provided in this documentation contains general descriptions and/or technical characteristics of the products contained herein. This documentation is not intended as a substitute for and is not to be used for determining suitability or reliability of these products for specific user applications. It is the duty of any such user or integrator to perform the appropriate and complete risk analysis, evaluation and testing of the products with respect to the relevant specific application or use thereof. Neither Schneider Electric Industries SAS nor any of its affiliates or subsidiaries shall be responsible or liable for misuse of the information contained herein.

Mounting and Clearance

Various Stages in the Protective Screen Assembly



(1) Depending on the length