



Price* : 137.07 GBP



Main

Range of product	OsiSense XU
Series name	Application material handling
Electronic sensor type	Photo-electric sensor
Sensor name	XUV
Sensor design	Fork
Detection system	Thru beam
Emission	Infrared
Passage width	30 mm
Passage depth	40 mm
Material	Plastic
Supply circuit type	DC
Wiring technique	3-wire
Discrete output type	PNP
Discrete output function	1 NO
Electrical connection	Cable
Cable length	2 m
Product specific application	Detection of flags in lifts/transtockers
[Sn] nominal sensing distance	30 mm

Complementary

Enclosure material	ABS/PC
Lens material	PMMA
Type of output signal	Discrete
Output type	Solid state
Output function governance	Dark
Cable composition	3 x 0.34 mm ²

Wire insulation material	PvR
Cable outer diameter	5 mm
Status LED	Output state: 1 LED (red)
[Us] rated supply voltage	24 V DC with reverse polarity protection
Supply voltage limits	19...38 V DC
Switching capacity in mA	<= 150 mA (overload and short-circuit protection)
Switching frequency	<= 1 kHz
Maximum voltage drop	<1.5 V (closed state)
Current consumption	<= 20 mA no-load
Maximum delay first up	30 ms
Maximum delay response	0.5 ms
Maximum delay recovery	0.5 ms
Setting-up	Without sensitivity adjustment
Depth	68 mm
Height	59 mm
Width	14 mm
Product weight	0.13 kg

Environment

Product certifications	CE
Ambient air temperature for operation	-5...55 °C
Ambient air temperature for storage	-20...70 °C
Vibration resistance	7 gn, amplitude = +/- 1 mm (f = 10...42 Hz) conforming to IEC 60068-2-6
Shock resistance	30 gn (duration = 11 ms) conforming to IEC 60068-2-27
IP degree of protection	IP54 conforming to IEC 60529

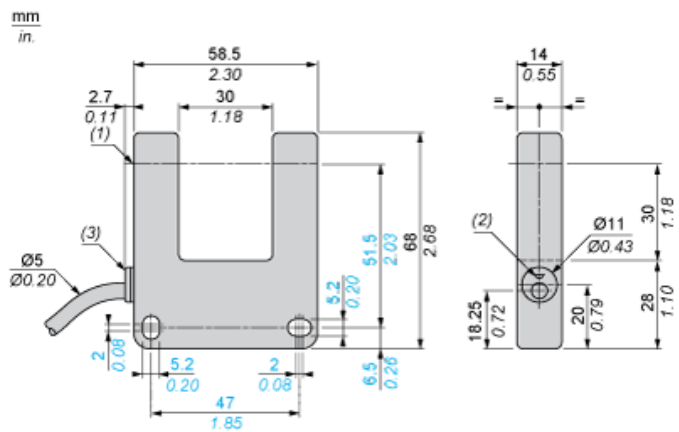
Offer Sustainability

Sustainable offer status	Green Premium product
EU RoHS Directive	Pro-active compliance (Product out of EU RoHS legal scope) EU RoHS Declaration
Mercury free	Yes
RoHS exemption information	Yes
Environmental Disclosure	Product Environmental Profile
Circularity Profile	End of Life Information

Contractual warranty

Warranty	18 months
----------	-----------

Dimensions

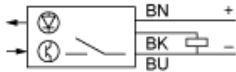


- (1) Optical axis
- (2) Red LED
- (3) Diffuser

Wiring Schemes (3-Wire DC)

NO Function

PNP Output



- BN : Brown
- BK : Black
- BU : Blue

Detection Curve

mm
in.

