



Main

Range of product	OsiSense XU
Series name	Application material handling
Electronic sensor type	Photo-electric sensor
Sensor name	XUV
Sensor design	Fork
Detection system	Thru beam
Emission	Infrared
Passage width	30 mm
Passage depth	40 mm
Material	Plastic
Supply circuit type	DC
Wiring technique	3-wire
Discrete output type	NPN
Discrete output function	1 NO
Electrical connection	Cable
Cable length	2 m
Product specific application	Detection of flags in lifts/transtockers
[Sn] nominal sensing distance	30 mm

Complementary

Enclosure material	ABS/PC
Lens material	PMMA
Type of output signal	Discrete
Output type	Solid state
Output function governance	Dark
Cable composition	3 x 0.34 mm ²
Wire insulation material	PvR
Cable outer diameter	5 mm
Status LED	Output state: 1 LED (red)
[Us] rated supply voltage	24 V DC with reverse polarity protection

Supply voltage limits	19...38 V DC
Switching capacity in mA	<= 150 mA (overload and short-circuit protection)
Switching frequency	<= 1 kHz
Maximum voltage drop	<1.5 V (closed state)
Current consumption	<= 20 mA no-load
Maximum delay first up	30 ms
Maximum delay response	0.5 ms
Maximum delay recovery	0.5 ms
Setting-up	Without sensitivity adjustment
Depth	68 mm
Height	59 mm
Width	14 mm
Product weight	0.13 kg

Environment

Product certifications	CE
Ambient air temperature for operation	-5...55 °C
Ambient air temperature for storage	-20...70 °C
Vibration resistance	7 gn, amplitude = +/- 1 mm (f = 10...42 Hz) conforming to IEC 60068-2-6
Shock resistance	30 gn (duration = 11 ms) conforming to IEC 60068-2-27
IP degree of protection	IP54 conforming to IEC 60529

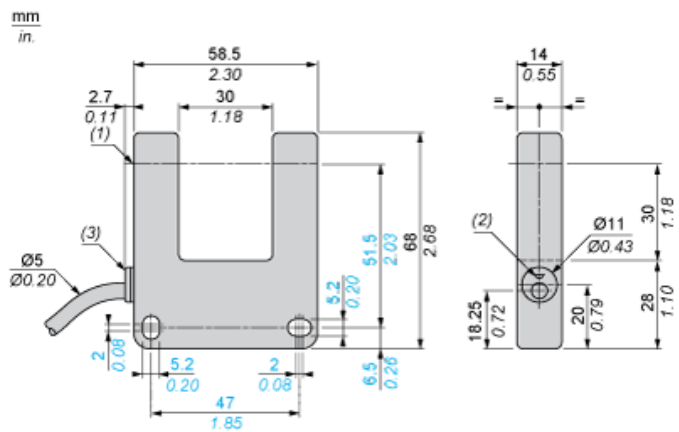
Offer Sustainability

EU RoHS Directive	Not applicable, out of EU RoHS legal scope
-------------------	--

Contractual warranty

Warranty	18 months
----------	-----------

Dimensions

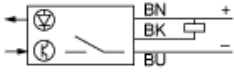


- (1) Optical axis
- (2) Red LED
- (3) Diffuser

Wiring Schemes (3-Wire DC)

NO Function

NPN Output



- BN : Brown
- BK : Black
- BU : Blue

Detection Curve

mm
in.

