

Price\* : 259.36 GBP



## Main

Range of product	OsiSense XU
Series name	Application packaging
Electronic sensor type	Photo-electric sensor
Sensor name	XUV
Sensor design	Fork
Detection system	Thru beam
Emission	Ultrasonic
Type of setting	With
Passage width	3 mm
Passage depth	69 mm
Material	Metal
Supply circuit type	DC
Wiring technique	4-wire
Discrete output type	NPN
Discrete output function	1 NO or 1 NC programmable
Electrical connection	1 male connector M8, 4 pins
Product specific application	Detection of transparent labels
[Sn] nominal sensing distance	3 mm thru beam

## Complementary

Setting-up	Numeric potentiometer
Enclosure material	Zinc alloy
Lens material	PC
Accuracy	+/- 0.20 mm at 120 m/min
Minimum label length	2 mm
Minimum distance between labels	2 mm
Maximum passing speed of object	180 m/min
Type of output signal	Discrete
Output type	Solid state
Status LED	Output state: 1 LED (yellow) Adjustment mode and keypad locking: 1 LED (red)

[Us] rated supply voltage	12...24 V DC with reverse polarity protection
Supply voltage limits	10...30 V DC
Switching capacity in mA	<= 100 mA (overload and short-circuit protection)
Switching frequency	<= 1500 Hz
Maximum voltage drop	<2 V (closed state)
Maximum delay first up	30 ms
Maximum delay response	0.3 ms
Maximum delay recovery	0.3 ms
Depth	47 mm
Height	92.5 mm
Width	18 mm
Product weight	0.13 kg

## Environment

Product certifications	CE CULus
Ambient air temperature for operation	5...55 °C
Ambient air temperature for storage	-20...70 °C
Vibration resistance	7 gn, amplitude = +/- 1.5 mm (f = 10...55 Hz) conforming to IEC 60068-2-6
Shock resistance	30 gn (duration = 11 ms) conforming to IEC 60068-2-27
IP degree of protection	IP65 conforming to IEC 60529

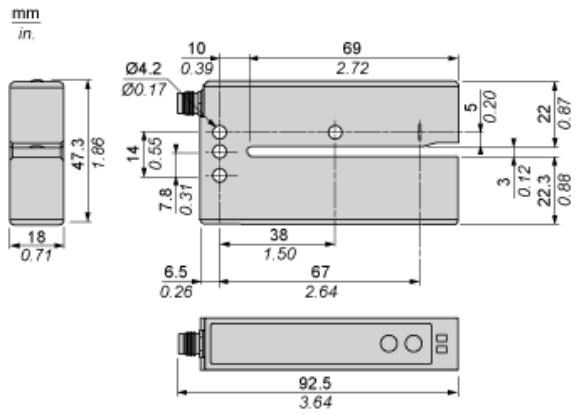
## Offer Sustainability

EU RoHS Directive	Pro-active compliance (Product out of EU RoHS legal scope) <a href="#">EU RoHS Declaration</a>
Mercury free	Yes
RoHS exemption information	<a href="#">Yes</a>

## Contractual warranty

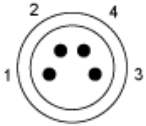
Warranty	18 months
----------	-----------

Dimensions



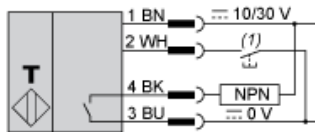
## Wiring Schemes

### Connector



- 1 : BN: Brown
- 2 : WH: White (remote teaching)
- 3 : BU: Blue
- 4 : BK: Black

### NPN Function



- (1) Remote teaching