

Price* : 148.83 GBP



Main

Range of product	OsiSense XU
Series name	Application
Electronic sensor type	Photo-electric sensor
Sensor name	XUY
Sensor design	Fork
Detection system	Thru beam
Emission	Infrared, continuous
Passage width	3 mm
Passage depth	60 mm
Material	Metal
Supply circuit type	DC
Wiring technique	4-wire
Discrete output type	PNP and NPN
Discrete output function	1 NO or 1 NC programmable
Electrical connection	1 male connector M8, 4 pins
Product specific application	Packaging series
[Sn] nominal sensing distance	3 mm

Complementary

Enclosure material	Anodised aluminium
Type of output signal	Discrete
Output type	Solid state
Status LED	No object present: 1 LED (green) Adjustment mode and keypad locking: 1 LED (red)
[Us] rated supply voltage	12...24 V DC with reverse polarity protection
Supply voltage limits	10...30 V DC
Switching capacity in mA	100 mA (overload and short-circuit protection)
Switching frequency	10 kHz
Maximum voltage drop	<2 V (closed state)
Current consumption	40 mA no-load
Time response	50 µs

Maximum delay recovery	50 µs
Product weight	0.07 kg

Environment

Product certifications	CE CULus
Ambient air temperature for operation	-20...60 °C
Ambient air temperature for storage	-30...80 °C
Immunity to ambient light	3000 lux incandescent bulb 3000 lux natural light
IP degree of protection	IP65 conforming to IEC 60529

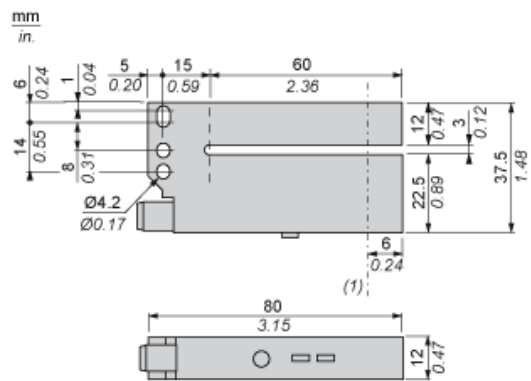
Offer Sustainability

EU RoHS Directive	Pro-active compliance (Product out of EU RoHS legal scope) EU RoHS Declaration
Mercury free	Yes
RoHS exemption information	Yes

Contractual warranty

Warranty	18 months
----------	-----------

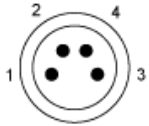
Dimensions



(1) Optical axis

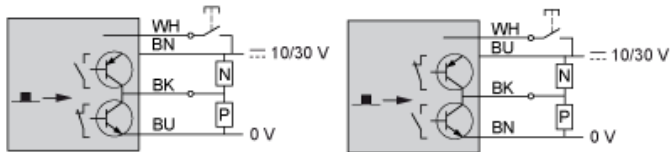
Wiring Schemes

Connector



- 1 : BN: Brown
- 2 : WH: White (input)
- 3 : BU: Blue
- 4 : BK: Black (PNP and NPN outputs)

NO or NC Programmable Function



■ —▶ Object detected

If the white wire is not used, connect to 0 V.