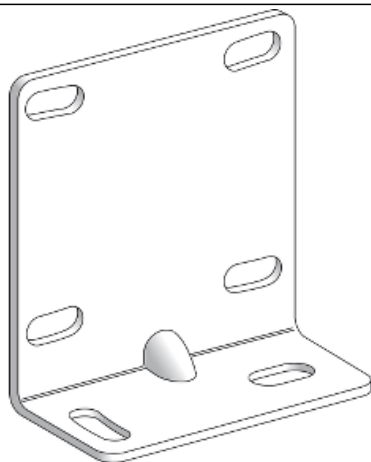


# XUZAM81

accessory for sensor - XUM metal - base  
mounting bracket

Price\* : 7.99 GBP



## Main

Range of product	OsiSense XU
Accessory / separate part category	Mounting and fixing accessory
Accessory / separate part type	Fixing bracket
Product or component type	Bottom mounting bracket
Accessory / separate part destination	miniature sensor
Material	Metal

## Complementary

Product compatibility	XUM miniature sensor
Product weight	0.02 kg

## Offer Sustainability

EU RoHS Directive	Pro-active compliance (Product out of EU RoHS legal scope) <a href="#">EU RoHS Declaration</a>
Toxic heavy metal free	Yes
Mercury free	Yes
RoHS exemption information	<a href="#">Yes</a>

## Contractual warranty

Warranty	18 months
----------	-----------