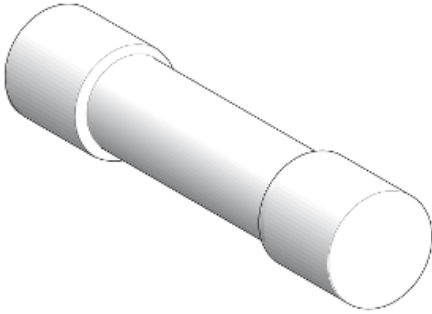


Price\* : 10.76 GBP



## Main

Range of product	OsiSense XU
Accessory / separate part category	Fuses
Accessory / separate part type	Fast blow fuse
Accessory / separate part designation	Cartridge fuse
Accessory / separate part destination	Unprotected 2-wire AC/DC sensor
Sale per indivisible quantity	10

## Complementary

Product compatibility	XT XS
[In] rated current	0.8 A
Fuse size	5 x 20 mm
Fuse curve	Fast blow
Local signalling	Without
Product weight	0.001 kg

## Offer Sustainability

EU RoHS Directive	Not applicable, out of EU RoHS legal scope
Environmental Disclosure	<a href="#">Product Environmental Profile</a>
Circularity Profile	<a href="#">End of Life Information</a>

## Contractual warranty

Warranty	18 months
----------	-----------