

## Main

Accessory / separate part category	Cabling accessories
Accessory / separate part type	Connector
Electrical connection	Elbowed male connector M12, 4 pins
Collar material	Plastic
Status LED	Without
Cable connection	Screw terminal / wire size $\leq 0.75 \text{ mm}^2$ / clamping capacity 3...6 mm

## Complementary

Cable gland type	Pg 7
Cable connector fixing	Screw-on
[Ue] rated operational voltage	150 V DC 125 V AC
[In] rated current	3 A
Enclosure material	Plastic
Insulating resistance	$> 1000 \text{ G}\Omega$
Contact resistance	$\leq 8000 \mu\text{Ohm}$
Product weight	0.025 kg

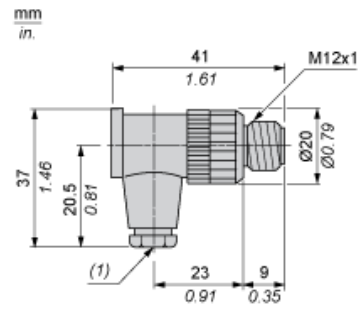
## Environment

IP degree of protection	IP67
Ambient air temperature for operation	-40...85 °C

## Offer Sustainability

Sustainable offer status	Not Green Premium product
RoHS (date code: YYWW)	Compliant - since 0545 - <a href="#">Schneider Electric declaration of conformity</a>

Dimensions



(1) Cable gland : no. 7 plastic (Pg 7)

---

Connections and Schemes

---

