



Main

Accessory / separate part category	Cabling accessories
Accessory / separate part type	Connector
Electrical connection	Elbowed male connector 1/2 20 UNF, 3 pins
Collar material	Metal
Status LED	Without
Cable connection	Screw terminal / wire size $\leq 0.75 \text{ mm}^2$ / clamping capacity 3...6 mm

Complementary

Cable gland type	Pg 7
Cable connector fixing	Screw-on
[Ue] rated operational voltage	250 V AC
[In] rated current	4 A
Enclosure material	Plastic
Insulating resistance	$> 1000 \text{ G}\Omega$
Contact resistance	$\leq 8000 \text{ }\mu\text{Ohm}$
Product weight	0.025 kg

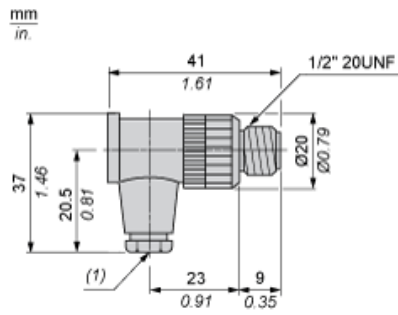
Environment

IP degree of protection	IP67
Ambient air temperature for operation	-40...85 °C

Offer Sustainability

Sustainable offer status	Not Green Premium product
RoHS (date code: YYWW)	Will be Compliant on 4Q2013

Dimensions



(1) Cable gland : no. 7 plastic (Pg 7)

Connections and Schemes

