

## Main

Accessory / separate part designation	4-wire connector adaptor
Accessory / separate part category	Cabling accessories
Accessory / separate part type	Connector adaptor
Cable composition	4 x 0.34 mm <sup>2</sup>
Thread type	M20 x 1.5
[In] rated current	4 A

## Complementary

Cable length	100 mm
Total number of wires	4
Electrical connection	1 male connector M12 5 straight
Cable connector fixing	Screw-on
Body material	Plastic
Insulation resistance	> 1000000000 Ohm
Resistance across terminals	<= 5000 mOhm
[Ue] rated operational voltage	36 V DC 30 V AC
Product weight	0.02 kg

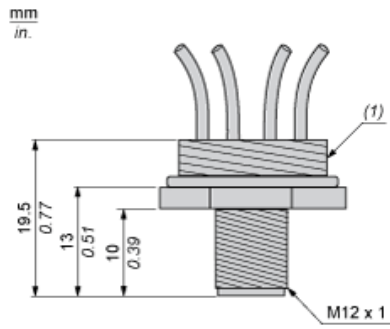
## Environment

IP degree of protection	IP67
Ambient air temperature for operation	-25...80 °C

## Offer Sustainability

Sustainable offer status	Not Green Premium product
RoHS (date code: YYWW)	Compliant - since 9830 - <a href="#">Schneider Electric declaration of conformity</a>

Dimensions



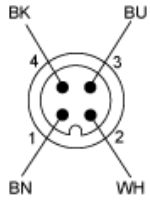
(1) Thread size M20 x 1.5

---

Connections and Schemes

---

Connector



BN : Brown  
BK : Black  
BU : Blue  
WH : White